

Specification

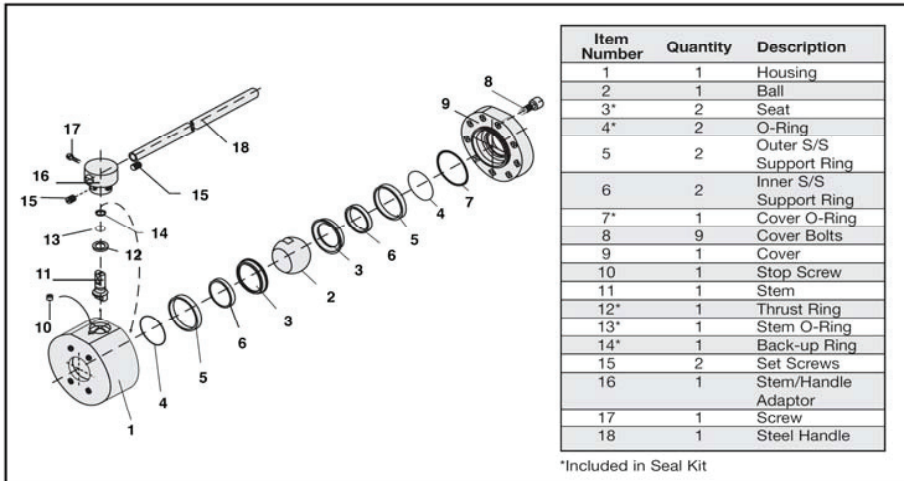
- 2½"- 5" Direct Mount SAE Code 61 Style Flange Connection
- Delrin +MoS₂ Ball Seats
- Viton O-Rings
- Direct Mount Eliminates Threads in Fluid Flow
- Machined Body Parts for Reduced Torque Operation.
- Pressure Range: Up to 2500 PSI** (160 bar)
- Temperature Range: -30°F to 212°F (-34°C to 100°C)
- Carbon Steel Construction
- Removable, Adjustable Steel Handle
- Zinc Plated Body



Options

- Flange Kits Available (see page A39)
- Stainless Steel
- Locking Kits
- Limit Switches
- Actuator Packages Available

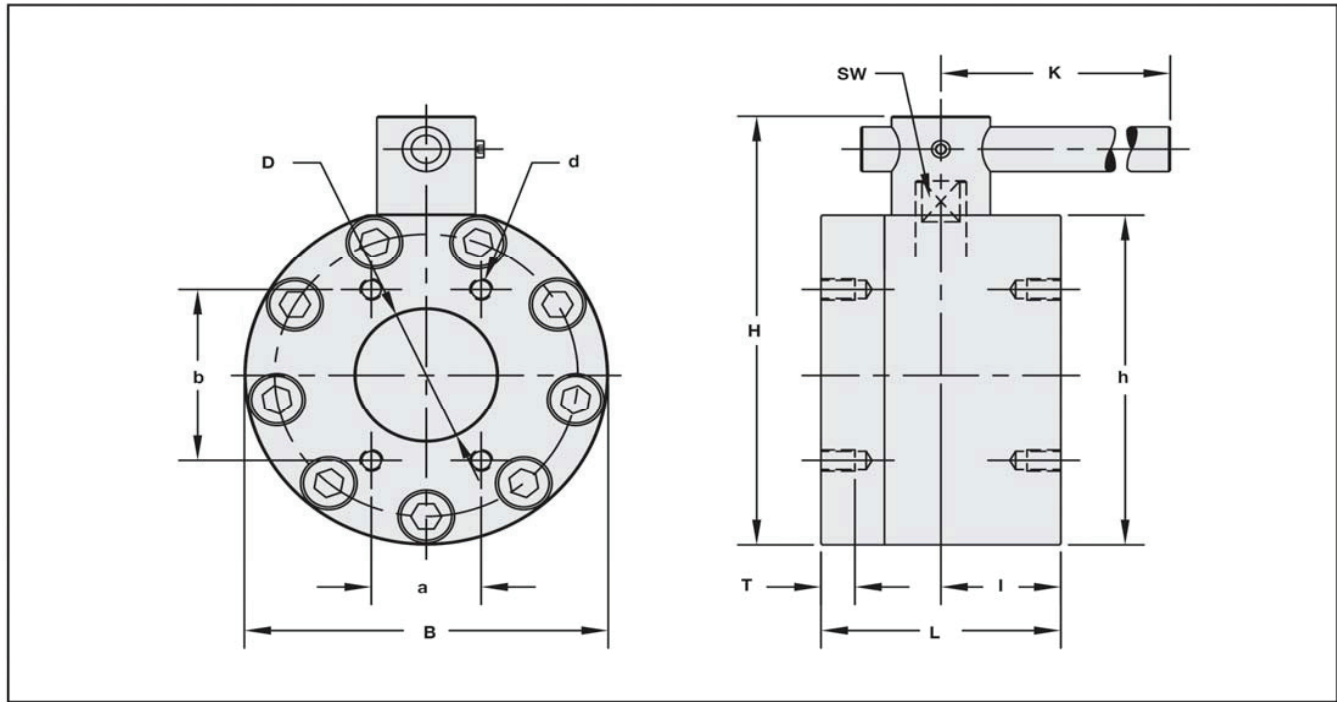
Technical Information



** Working Pressure for these valves is limited to the SAE Flange Ratings, higher pressures can be accommodated with special Flange Connectors. See "BBVF" Series on page V22.

Size		Part Number	Maximum Working Pressure	
			**PSI	Bar
2½"	CODE 61	BBV27400001M	2500 PSI	170
3"	CODE 61	BBV27480001M	2000 PSI	138
4"	CODE 61	BBV27640001M	500 PSI	35
5"	CODE 61	BBV27800001M	500 PSI	35

Dimensional Information



Size	D	L	I	B	H	h	SW	K	a	b	UNC Thread d	T	Weight
	in mm	in mm	in mm	in mm	in mm	in mm	in mm	in mm	in mm	in mm		in mm	lb kg
2½"	2.48	5.91	2.95	7.80	10.16	3.70	0.75	23.82	2.00	3.50	1/8"	0.75	67.10
	63	150	75	196	258	94	19	600	51	89		19	30.50
3"	2.90	5.51	2.78	8.27	10.91	3.94	0.75	23.82	2.44	4.19	5/16"	0.94	68.20
	76	140	70	210	277	100	19	600	62	106		24	31.00
4"	3.94	6.69	3.35	10.16	12.83	4.80	0.94	35.43	3.06	5.13	5/8"	0.94	121.00
	100	170	85	258	326	122	24	900	78	130		24	55.00
5"	4.05	8.27	4.13	11.61	14.84	5.51	1.42	35.43	3.63	6.00	3/4"	1.18	193.60
	116	210	105	295	377	140	36	900	92	152		30	88.00

Ordering Information

