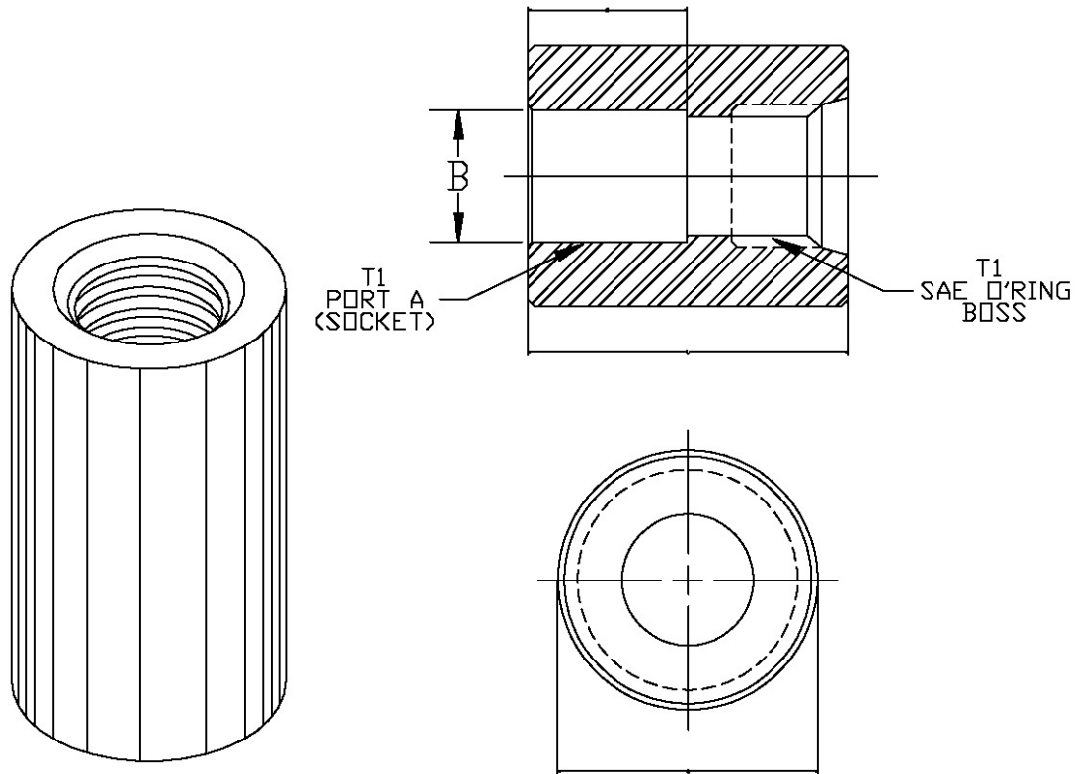


SAE X SOCKET WELD FULL COUPLINGS 316L SS



MATERIAL: 316L SS

TRILEX PART #	L LENGTH	A DIAMETER	THREAD T1	T1 SAE NUMBER	PORT A SOCKETS FOR PIPE SIZE	DIMENSIONS	
						B	C
* 3206SS	1.875	1.125	9/16-18 UNF-2B	-6	1/2" Pipe	.855	.625
* 3208SS	1.875	1.250	3/4-16 UNF-2B	-8	1/2" Pipe	.855	.625
* 3212SS	2.000	1.625	1 1/16-12 UNF-2B	-12	3/4" Pipe	1.065	.625
* 3216SS	2.375	2.000	1 5/16-12 UNF-2B	-16	1" Pipe	1.330	.625
* 3220SS	2.625	2.250	1 5/8-12 UNF-2B	-20	1-1/4" Pipe	1.675	.685
* 3224SS	3.000	2.500	1 7/8-12 UNF-2B	-24	1-1/2" Pipe	1.915	.685
3232SS	2.875	3.000	2 1/2-12 UNF-2B	-32	2" Pipe	2.406	.685

NOTE: -AVAILABLE IN 304L SS UPON REQUEST
 -MTR'S AVAILABLE UPON REQUEST

