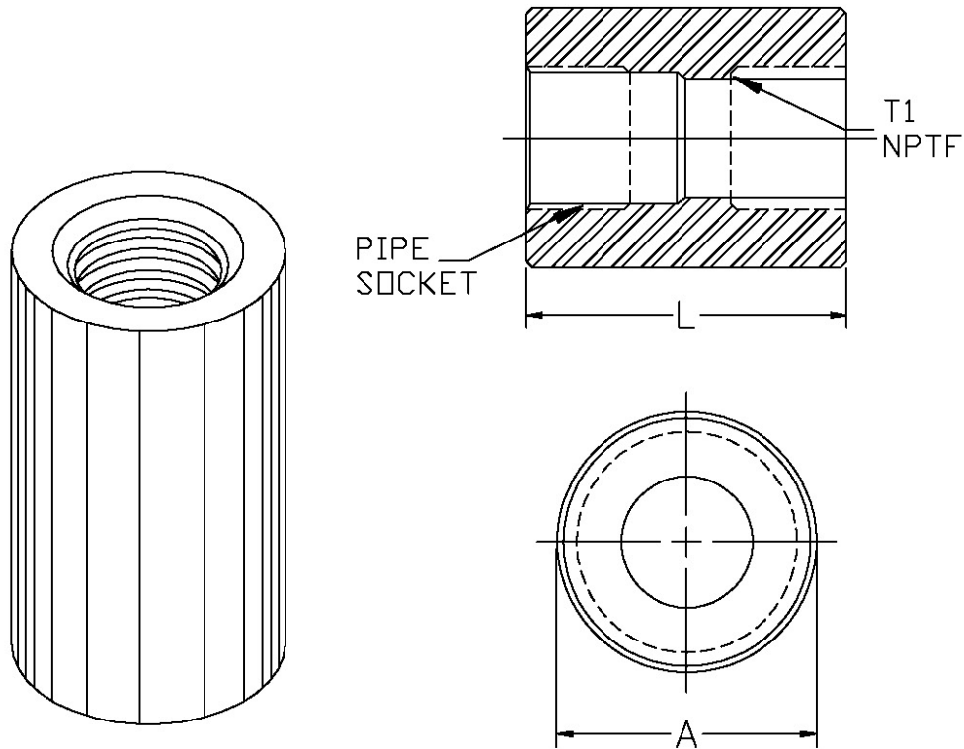


NPTF X SOCKET WELD FULL COUPLINGS 316L SS



MATERIAL: 316L SS 3000# COUPLING

TRILEX PART #	L LENGTH	A DIAMETER	SOCKET WELD	THREAD T1	
3306SS	1.000	0.875	3/8" PIPE	3/8" NPTF	
3308SS	1.125	1.125	1/2" PIPE	1/2" NPTF	
3312SS	1.500	1.375	3/4" PIPE	3/4" NPTF	
3316SS	2.000	1.750	1" PIPE	1" NPTF	
3320SS	2.375	2.250	1-1/4" PIPE	1-1/4" NPTF	
3324SS	2.375	2.500	1-1/2" PIPE	1-1/2" NPTF	
3332SS	2.500	3.000	2" PIPE	2" NPTF	

NOTE: -AVAILABLE IN 304L SS UPON REQUEST
 -MTR'S AVAILABLE UPON REQUEST