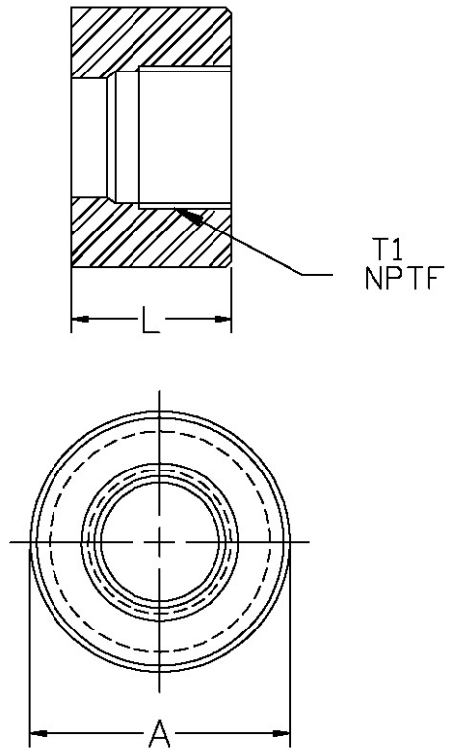
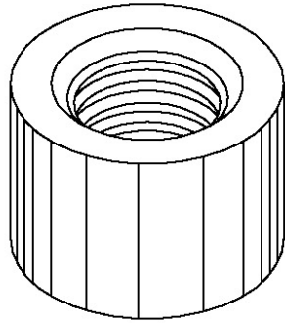


## NPTF HALF COUPLINGS 316L SS



MATERIAL: 316L SS 3000# COUPLING

| TRILEX<br>PART # | L<br>LENGTH | A<br>DIAMETER | THREAD<br>T2 | THREAD<br>T1 |  |
|------------------|-------------|---------------|--------------|--------------|--|
| 3806SS           | 0.600       | 0.875         | 3/8" NPTF    | 3/8" NPTF    |  |
| 3808SS           | 0.625       | 1.125         | 1/2" NPTF    | 1/2" NPTF    |  |
| 3812SS           | 0.750       | 1.375         | 3/4" NPTF    | 3/4" NPTF    |  |
| 3816SS           | 1.000       | 1.750         | 1" NPTF      | 1" NPTF      |  |
| 3820SS           | 1.125       | 2.250         | 1-1/4" NPTF  | 1-1/4" NPTF  |  |
| 3824SS           | 1.125       | 2.500         | 1-1/2" NPTF  | 1-1/2" NPTF  |  |
| 3832SS           | 1.250       | 3.000         | 2" NPTF      | 2" NPTF      |  |
|                  |             |               |              |              |  |
|                  |             |               |              |              |  |

NOTE: -AVAILABLE IN 304L SS UPON REQUEST  
 -MTR'S AVAILABLE UPON REQUEST