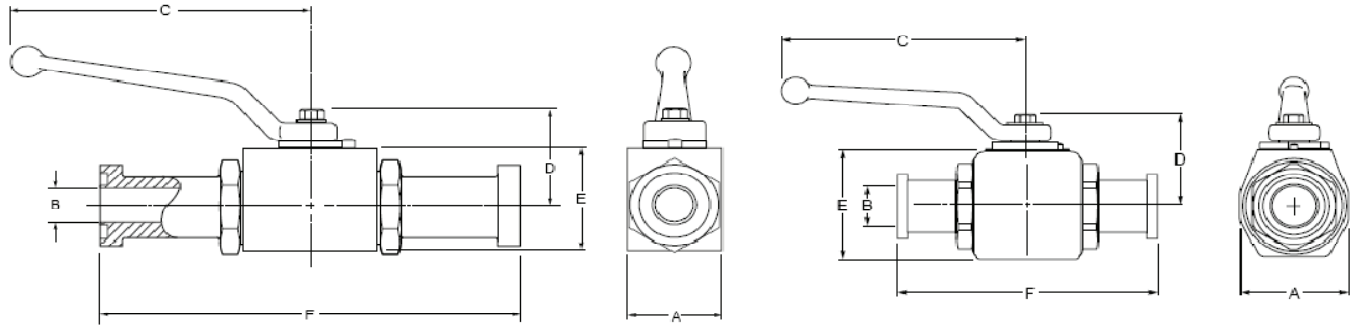


BKH/SKH CODE 61 / 62 SPLIT FLANGE BALL VALVES - STEEL/STAINLESS STEEL



PART NUMBER	NOMINAL SIZE	MATERIAL	WORKING PRESSURE	CODE	A	B	C	D	E	F
BKH-13-SAE-3000-S-1125	1/2"	STEEL	3000 PSI							
BKH-13-SAE-3000-S-4425	1/2"	STAINLESS	3000 PSI	61	1.37	.49	4.21	1.32	1.57	5.95
BKH-13-SAE-6000-S-1125	1/2"	STEEL	6000 PSI							
BKH-13-SAE-6000-S-4425	1/2"	STAINLESS	6000 PSI	62	1.37	.49	4.21	1.32	1.57	5.95
BKH-20-SAE-3000-S-1125	3/4"	STEEL	3000 PSI							
BKH-20-SAE-3000-S-4425	3/4"	STAINLESS	3000 PSI	61	1.93	.75	6.50	1.90	2.24	6.38
BKH-20-SAE-6000-S-1125	3/4"	STEEL	6000 PSI							
BKH-20-SAE-6000-S-4425	3/4"	STAINLESS	6000 PSI	62	1.93	.75	6.50	1.90	2.24	6.85
BKH-25-SAE-3000-S-1125	1"	STEEL	3000 PSI							
BKH-25-SAE-3000-S-4425	1"	STAINLESS	3000 PSI	61	2.36	.95	6.50	1.95	2.36	7.00
BKH-25-SAE-6000-S-1125	1"	STEEL	6000 PSI							
BKH-25-SAE-6000-S-4425	1"	STAINLESS	6000 PSI	62	2.36	.95	6.50	1.95	2.36	7.80
SKH-32-SAE-3000-S-3125	1 1/4"	STEEL	3000 PSI							
SKH-32-SAE-3000-S-4425	1 1/4"	STAINLESS	3000 PSI	61	2.99	1.25	8.30	2.60	3.30	7.50
SKH-32-SAE-6000-S-3125	1 1/4"	STEEL	6000 PSI							
SKH-32-SAE-6000-S-4425	1 1/4"	STAINLESS	6000 PSI	62	2.99	1.25	8.30	2.60	3.30	8.78
SKH-40-SAE-3000-S-3125	1 1/2"	STEEL	3000 PSI							
SKH-40-SAE-3000-S-4425	1 1/2"	STAINLESS	3000 PSI	61	3.27	1.50	8.30	2.74	3.62	9.10
SKH-40-SAE-6000-S-3125	1 1/2"	STEEL	6000 PSI							
SKH-40-SAE-6000-S-4425	1 1/2"	STAINLESS	6000 PSI	62	3.27	1.50	8.30	2.74	3.62	11.07
SKH-50-SAE-3000-S-3125	2"	STEEL	3000 PSI							
SKH-50-SAE-3000-S-4425	2"	STAINLESS	3000 PSI	61	3.94	1.89	8.30	3.15	4.37	9.14
SKH-50-SAE-6000-S-3125	2"	STEEL	6000 PSI							
SKH-50-SAE-6000-S-4425	2"	STAINLESS	6000 PSI	62	3.94	1.89	8.30	3.15	4.37	12.44
SKH-65/50-SAE-3000-S-3125	2"x 2 1/2"	STEEL	3000 PSI							
SKH-65/50-SAE-3000-S-4425	2"x 2 1/2"	STAINLESS	3000 PSI	61	CF	CF	CF	CF	CF	CF
SKH-65/50-SAE-6000-S-3125	2"x 2 1/2"	STEEL	6000 PSI							
SKH-65/50-SAE-6000-S-4425	2"x 2 1/2"	STAINLESS	6000 PSI	62	CF	CF	CF	CF	CF	CF

CONSTRUCTION:

LAST 4 DIGITS:	DESCRIPTION:
-1125	CARBON STEEL BLOCK BODY, STEEL BALL AND STEM VITON® "O" RINGS DELTRIN® BALL SEATS
-3125	FORGED STEEL BODY, STEEL BALL AND STEM VITON® "O" RINGS DELTRIN® BALL SEATS
-4425	316-STAINLESS STEEL BODY, BALL AND STEM VITON® "O" RINGS DELTRIN® BALL SEATS