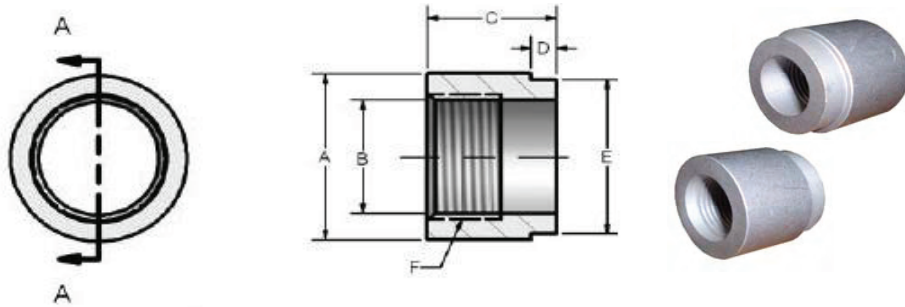


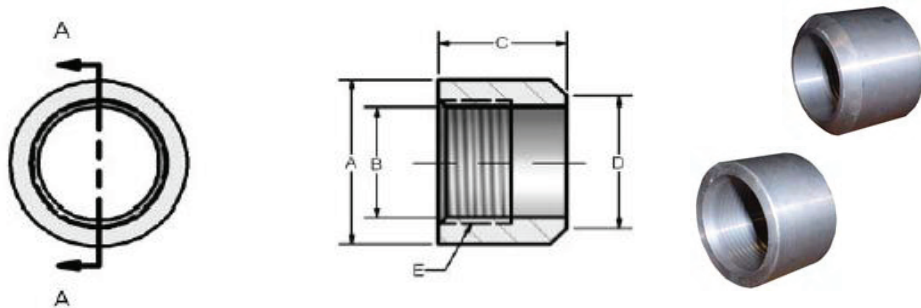
BSPP HALF COUPLINGS - Shoulder



BSPP HALF COUPLING						
PART NO.	A	B	C	D	E	F BSPP
TR-855-04	0.88	0.451	1.00	0.250	0.750	1/4-19
TR-855-06	1.00	0.589	1.00	0.250	0.875	3/8-19
TR-855-08	1.25	0.734	1.06	0.250	1.125	1/2-14
TR-855-12	1.50	0.950	1.28	0.250	1.375	3/4-14
TR-855-16	1.75	1.193	1.28	0.250	1.625	1-11
TR-855-20	2.25	1.534	1.28	0.250	2.125	1 1/4-11
TR-855-24	2.75	1.766	1.28	0.250	2.500	1 1/2-11
TR-855-32	3.25	2.231	1.50	0.250	3.000	2-11

- AISI1020 Carbon Steel
- Includes individual thread identification marking
- Additional thread sizes and configurations available

BSPP HALF COUPLINGS - Bevel



BSPP HALF COUPLING BEVEL					
PART NO.	A	B	C	D	E BSPP
TR-855B-04	0.88	0.451	1.00	0.570	1/4-19
TR-855B-06	1.00	0.589	1.00	0.690	3/8-19
TR-855B-08	1.25	0.734	1.06	0.870	1/2-14
TR-855B-12	1.50	0.950	1.28	1.160	3/4-14
TR-855B-16	1.75	1.193	1.28	1.410	1-11
TR-855B-20	2.25	1.534	1.28	1.720	1 1/4-11
TR-855B-24	2.75	1.766	1.28	1.980	1 1/2-11
TR-855B-32	3.25	2.231	1.50	2.600	2-11

- AISI1020 Carbon Steel
- Includes individual thread identification marking
- Additional thread sizes and configurations available