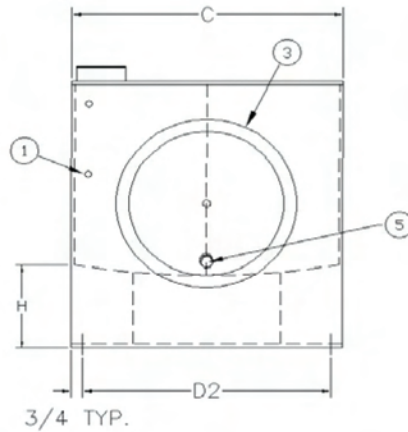
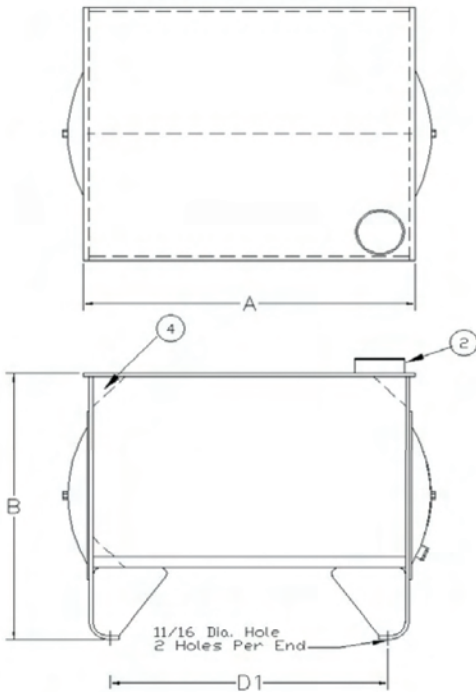
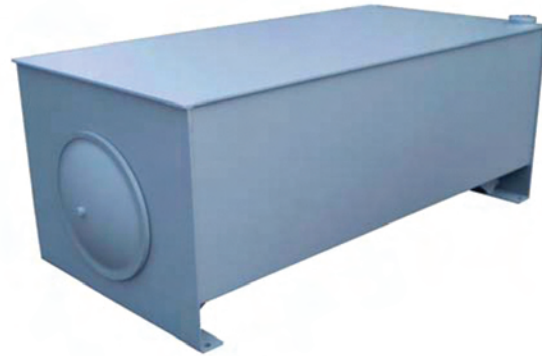


J.I.C. RESERVOIRS - "T2" STYLE



Each "T2" Style Reservoir includes:

- 1. (1) Oil Level & Temp. gauge holes
 - 2. (1) Riser for Filler Breather
 - 3. (2) Steel Endcovers with Gaskets
 - (1) Endcover incl. 3/4" SAE Drain & Plug
- Baffle with cutouts for circulation
 Exterior of Reservoir prime painted
 Interior coated with rust preventive oil

Sight Gauge:

10 to 400 Gal – 5" Sight Gauge (SLG-5T)

Filler Breather:

Bayonet Style – 40 micron (FBA-1-3S)

J.I.C. RESERVOIRS - "T2" STYLE													
PART #	CAPA. (GALLONS)	A length	B height	C width	MOUNTING CENTERS		END COVER	SIGHT GAUGE	PLATE THICKNESS			WEIGHT (lbs)	H
					D1 +/- 1/8"	D2 +/- 1/8"			END	TOP	BODY		
T2.10	10	24"	18"	16"	20 1/4"	14 1/2"	12"	5"	10ga	3/16"	10ga	80	6"
T2.20	20	32"	18"	21"	28 1/4"	19 1/2"	12"	5"	10ga	3/16"	10ga	94	6"
T2.30	30	36"	18"	24"	32 1/4"	22 1/2"	12"	5"	3/16"	3/16"	10ga	160	6"
T2.60	60	38"	25"	25"	34 1/4"	23 1/2"	16"	5"	3/16"	1/4"	10ga	242	6"
T2.80	80	47"	26 7/8"	30"	43 1/4"	28 1/2"	16"	5"	3/16"	1/4"	10ga	365	6"
T2.100	100	47"	29"	30"	43 1/4"	28 1/2"	16"	5"	3/16"	1/4"	10ga	375	6"
T2.120	120	60"	27"	30"	56 1/4"	28 1/2"	16"	5"	3/16"	3/8"	10ga	515	6"
T2.150	150	60"	31"	30"	56 1/4"	28 1/2"	16"	5"	3/16"	3/8"	10ga	525	6"
T2.200	200	72"	29"	36"	68 1/4"	34 1/2"	16"	5"	1/4"	3/8"	10ga	770	6"
T2.300	300	82"	29"	48"	78 1/4"	46 1/2"	16"	5"	1/4"	1/2"	3/16"	1310	6"
T2.400	400	96"	24"	72"	92 1/4"	70 1/2"	16"	5"	3/8"	1/2"	3/16"	2100	6"

Dimensions are approximate & subject to change without notice.