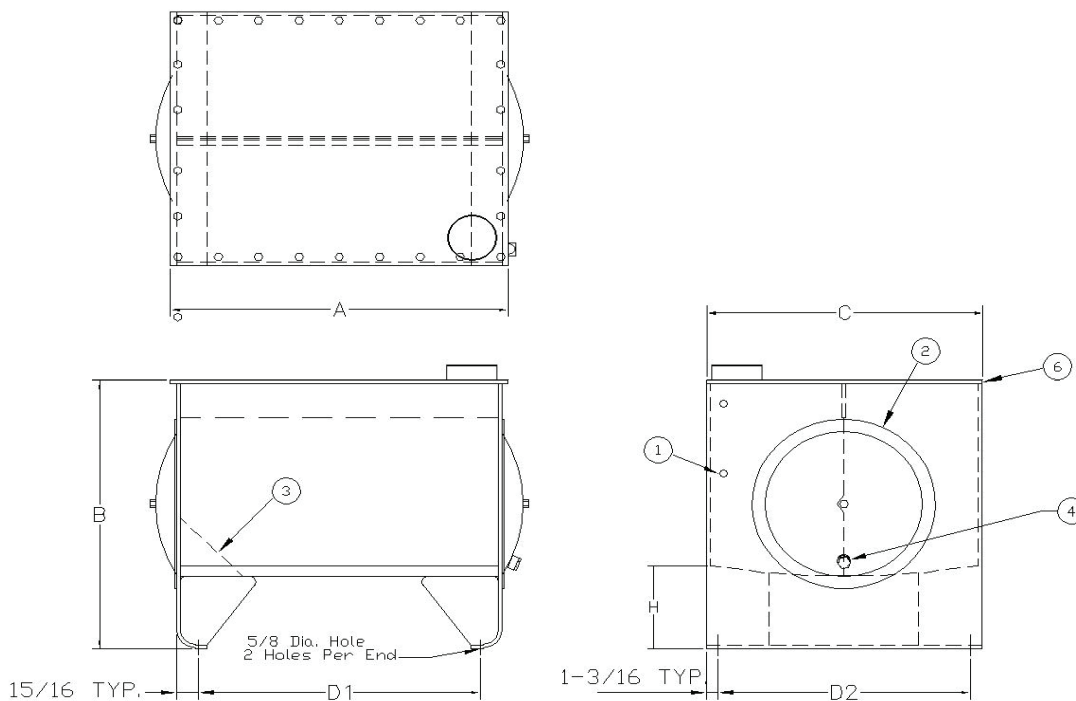


REMOVABLE LID

Each Style TRL Reservoir Includes:

1. (1) Oil Level & Temp Gauge
2. Endcover(s) with Gasket(s)
3. Baffle with cutout for circulation
4. (1) 3/4" NPT Drain
5. (1) Return Connection upon request
6. Channel Gasket for Removable Top (see note)
7. Exterior of reservoir prime painted
8. Interior of reservoir coated with rust preventive oil

NOTE: Removable Top Plates are ordered as separate items (see page 47)



J.I.C. RESERVOIRS - "TRL" STYLE

PART #	CAPACITY (GALLONS)	A length	B height	C width	MOUNTIN		END COVER	SIGHT	PLATE		WEIGHT	H
					D1 +/- 1/8"	D2 +/- 1/8"			END	BODY		
TRL.10	10	18 1/4"	18"	17 7/8"	16 3/8"	15 1/2"	10"	5"	3/16"	10ga	90	6"
TRL.20	20	29 3/8"	18"	17 7/8"	27 1/2"	15 1/2"	10"	5"	3/16"	10ga	120	6"
TRL.35	35	35 3/8"	18 1/4"	23 7/8"	33 1/2"	21 1/2"	12"	5"	3/16"	10ga	160	6"
TRL.50	50	35 3/8"	23"	23 7/8"	33 1/2"	21 1/2"	12"	5"	3/16"	10ga	197	6"
TRL.70	70	46 3/8"	21"	26 7/8"	45 1/2"	24 1/2"	16"	5"	3/16"	10ga	235	6"
TRL.90	90	59 3/8"	21 1/2"	26 7/8"	57 1/2"	24 1/2"	16"	5"	3/16"	10ga	281	6"
TRL.130	130	59 3/8"	26"	29 7/8"	57 1/2"	27 1/2"	16"	5"	3/16"	10ga	345	6"
TRL.160	160	59 3/8"	31"	29 7/8"	57 1/2"	27 1/2"	16"	5"	3/8"	10ga	398	6"
TRL.210	210	71 3/8"	28 1/4"	35 7/8"	69 1/2"	33 1/2"	16"	5"	3/8"	10ga	484	6"

Dimensions are approximate, in inches.