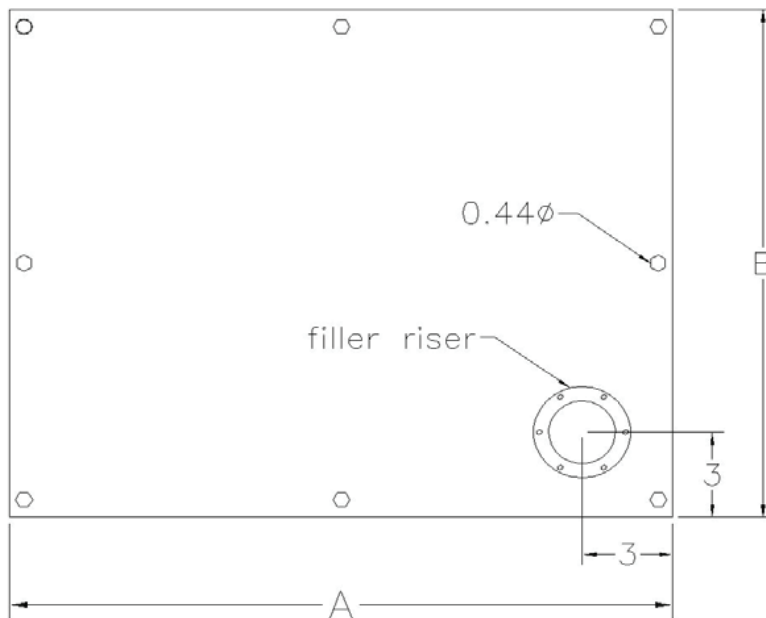


# J.I.C. RESERVOIRS - "TRL" STYLE



**Each "TRL" Style Lid includes:**

1. (1) filler riser for a filler breather
2. Lid Mounting Bolts & Gasket
3. Exterior of lid primed only

**REMOVABLE LIDS - "TRL" STYLE**

PART #	CAPACITY (GALLONS)	A length	B width	Mat"l	WEIGHT (lbs)	PART #	CAPACITY (GALLONS)	A length	B width	Mat"l	WEIGHT (lbs)
TRL-10-1	10	19"	18"	1/4"	25	TRL-90-1	90	60"	27"	1/4"	116
TRL-10-2	10	19"	18"	3/8"	37	TRL-90-2	90	60"	27"	3/8"	175
TRL-10-3	10	19"	18"	1/2"	50	TRL-90-3	90	60"	27"	1/2"	232
TRL-20-1	20	30"	18"	1/4"	39	TRL-90-4	90	60"	27"	3/4"	348
TRL-20-2	20	30"	18"	3/8"	59	TRL-130/160-1	130/160	60"	30"	1/4"	129
TRL-20-3	20	30"	18"	1/2"	78	TRL-130/160-2	130/160	60"	30"	3/8"	194
TRL-35/50-1	35/50	36"	24"	1/4"	62	TRL-130/160-3	130/160	60"	30"	1/2"	258
TRL-35/50-2	35/50	36"	24"	3/8"	94	TRL-130/160-4	130/160	60"	30"	3/4"	387
TRL-35/50-3	35/50	36"	24"	1/2"	123	TRL-130/160-5	130/160	60"	30"	1"	516
TRL-35/50-4	35/50	36"	24"	3/4"	184	TRL-210-1	210	72"	36"	1/4"	186
TRL-70-1	70	48"	27"	1/4"	93	TRL-210-2	210	72"	36"	3/8"	278
TRL-70-2	70	48"	27"	3/8"	140	TRL-210-3	210	72"	36"	1/2"	371
TRL-70-3	70	48"	27"	1/2"	186	TRL-210-4	210	72"	36"	3/4"	566
TRL-70-4	70	48"	27"	3/4"	279	TRL-210-5	210	72"	36"	1"	736

Dimensions are approximate, in inches.