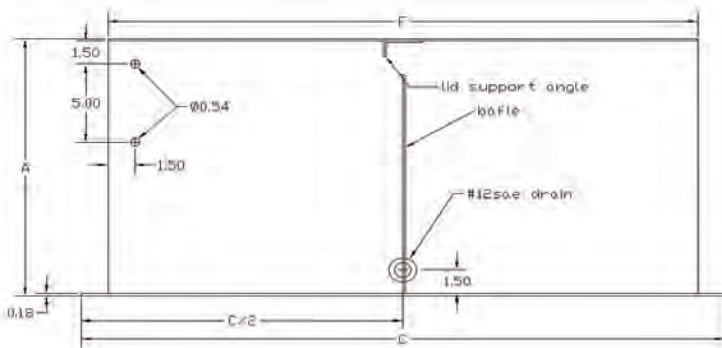
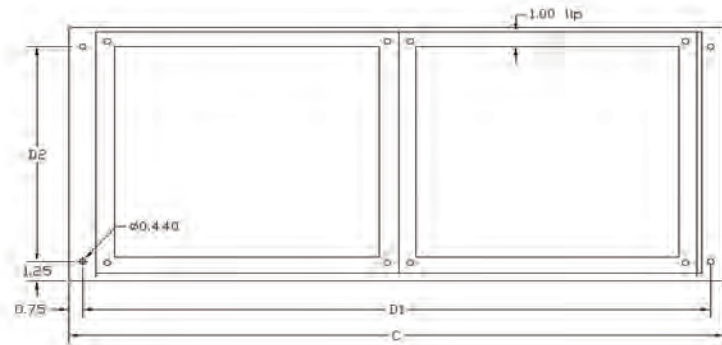


# DUAL VERTICAL RESERVOIRS - "TVD" STYLE

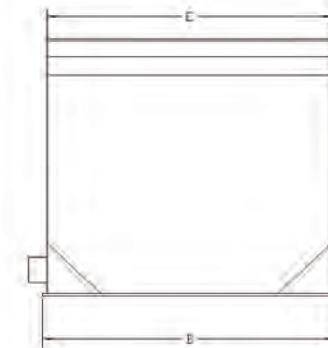


### Each "TVD" Style Reservoir includes:

1. (1) Oil Level & Temp. gauge holes
  2. (8) Cover Mounting Bolts
  3. (2) Channel Gasket for cover plate seal
  4. (1) 3/4" SAE Drain
  5. (1) Baffle with cutouts for circulation
- Customer choice of cover plate  
Exterior of Reservoir prime painted  
Interior coated with rust preventive oil

### Sight Gauge:

40 to 60 Gal – 5" Sight Gauge (SLG-5T)



DUAL VERTICAL RESERVOIRS - "TVD" STYLE																
PART #	CAPA. (GALS)	A	B	C	MOUNTING CENTERS		E	F	G	H	J	SIGHT GAUGE	THICKNESS		WEIGHT (lbs)	
					D1 +/- 1/8"	D2 +/- 1/8"							END	BODY		
TVD-188	40	24"	16-1/2"	36"	34-1/2"	14"	16"	33"	4"	18"	8"	5"	10ga	10ga	128	
TVD-189	60	36"	16-1/2"	36"	34-1/2"	14"	16"	33"	4"	24"	8"	5"	10ga	10ga	179	

DUAL VERTICAL RESERVOIRS - "TVD" STYLE																
PART #	CAPA. (GALS)	A	B	C	MOUNTING CENTERS		E	F	G	H	J	SIGHT GAUGE	THICKNESS		WEIGHT (lbs)	
					D1 +/- 1/8"	D2 +/- 1/8"							END	BODY		
TVD-195	50	22-1/2"	18"	39"	37-1/2"	15-1/2"	17-1/2"	36"	5"	19"	8-3/4"	5"	10ga	10ga	128	
TVD-196	60	26-1/2"	18"	39"	37-1/2"	15-1/2"	17-1/2"	36"	5"	22-1/2"	8-3/4"	5"	10ga	10ga	179	

Dimensions are approximate & subject to change without notice.

VARIOUS LID STYLES ARE AVAILABLE - SEE PAGE 53 & 55 DETAILS