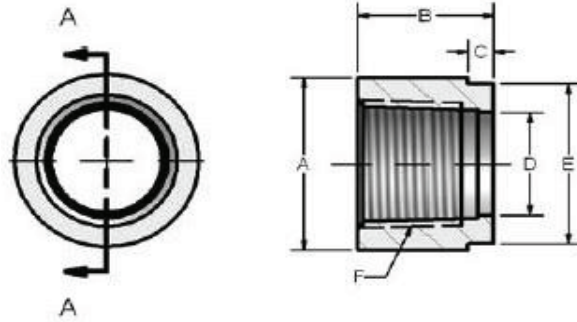


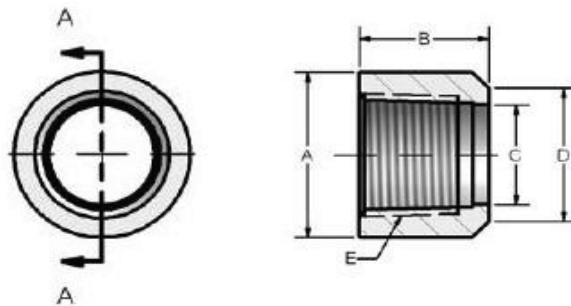
# NPTF HALF COUPLINGS - Shoulder



NPTF HALF COUPLING						
PART NO.	A	B	C	D	E	F SAE UN-2B
TR-845-04	0.88	1.06	0.250	0.391	0.750	1/4-18
TR-845-06	1.00	1.00	0.250	0.563	0.875	3/8-18
TR-845-08	1.25	1.06	0.250	0.650	1.125	1/2-14
TR-845-12	1.50	1.28	0.250	0.850	1.375	3/4-14
TR-845-16	1.75	1.28	0.250	1.050	1.625	1/11.5
TR-845-20	2.25	1.28	0.250	1.420	2.125	1 1/4-11.5
TR-845-24	2.75	1.28	0.250	1.560	2.500	1 1/2-11.5
TR-845-32	3.25	1.50	0.250	2.125	3.000	2/11.5

- AISI1020 Carbon Steel
- Includes individual thread identification marking
- Additional thread sizes and configurations available

# NPTF HALF COUPLINGS - Bevel



NPTF HALF COUPLING BEVEL					
PART NO.	A	B	C	D	E NPTF
TR-845B-04	0.88	1.06	0.391	0.570	1/4-18
TR-845B-06	1.00	1.00	0.563	0.690	3/8-18
TR-845B-08	1.25	1.06	0.650	0.870	1/2-14
TR-845B-12	1.50	1.28	0.850	1.160	3/4-14
TR-845B-16	1.75	1.28	1.050	1.410	1/11.5
TR-845B-20	2.25	1.28	1.420	1.720	1 1/4-11.5
TR-845B-24	2.75	1.28	1.560	1.980	1 1/2-11.5
TR-845B-32	3.25	1.50	2.125	2.600	2-11.5

- AISI1020 Carbon Steel
- Includes individual thread identification marking
- Additional thread sizes and configurations available