

# TWIN SERIES

TWIN SERIES CLAMPS will accommodate pipes, tubes and hoses ranging in size from ¼" to 1½" O.D.

In addition to shock and vibration absorbtion properties, the Twin Clamp can support multiple tubes or hose and provide a close center distance.

Typical installations: Off-highway equipment, agricultural equipment, material handling, costruction, food processing plants, etc.

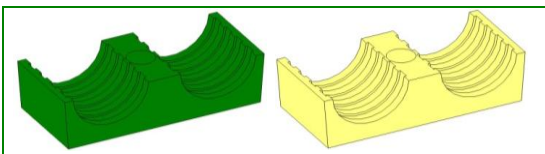
Clamps for tube and metric sizes, other than those listed, can be furnished upon request.

A basic clamp assembly consists of a weld plate, two (2) identicle clamp halves, an arched cover plate and one (1) hex bolt. Twin weld weld and cover plates are furnished in plain carbon steel or zinc plated finish. Zinc plated will be furnished as the norm.

Group T1 is supplied with 1/4-20 hardware. Group T2 - T5 can be supplied with either 5/16-18 or 3/8-16 hardware. 5/16-18 hardware will be supplied as the norm.

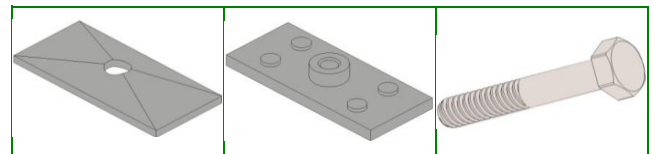
Clamp units for lines with two different diameters can be provided upon request.

Clamp halves are made of Polypropylene (PP) in green or black and Santoprene (SP) in tan. Please refer to standard series for plastic properties.

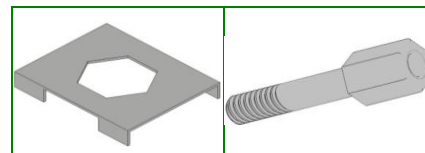


CLAMP INSERTS			
GROUP	SIZE	CLAMP OD	ORDER NO.
T1	¼ T	0.250	T1064-PP
	⅜ T	0.375	T1095-PP
T2	¼ T	0.250	T2025-PP
	⅜ T	0.375	T2038-PP
	⅜ P	0.405	T20405-PP
	½ T	0.500	T2127-PP
	¼ P	0.540	T2137-PP
	⅜ T	0.625	T2160-PP
T3	⅜ P	0.675	T2171-PP
	¼ T	0.750	T3190-PP
	½ P	0.840	T3213-PP
	⅜ T	0.875	T3222-PP
T4	1 T	1.000	T3254-PP
	⅜ T	0.875	T4087-PP
	1 T	1.000	T4100-PP
T5	¾ P	1.050	T41050-PP
	1¼ T	1.250	T5320-PP
	1 P	1.315	T5334-PP
	1½ T	1.500	T5381-PP
	1¼ P	1.660	T5422-PP

\*\* Specify clamp material: PP = Polypropylene, SP = Santoprene



TWIN COVER PLATE	TWIN WELD PLATE	HEX BOLT
TC-1	TW-1	HEX-T1
TC-2	TW-2	HEX-T2
TC-3	TW-3	HEX-T3
TC-4	TW-4	HEX-T4
TC-5	TW-5	HEX-T5



TWIN SAFETY PLATE	TWIN STACKING BOLT
TSP-1	TSB-1
TSP-2	TSB-2
TSP-3	TSB-3
TSP-4	TSB-4
TSP-5	TSB-5



USA Tel: 716-283-8780  
Fax: 716-283-8781



dn Tel: 905-545-2038  
Fax: 905-545-0528

Email: [wbisson@trilexfluidpower.com](mailto:wbisson@trilexfluidpower.com)  
Web: [trilexfluidpower.com](http://trilexfluidpower.com)