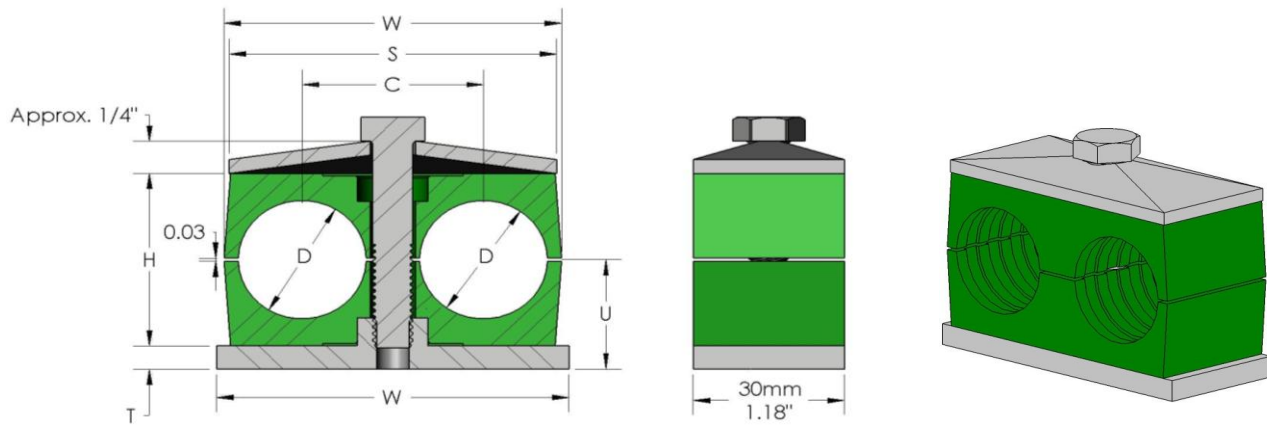
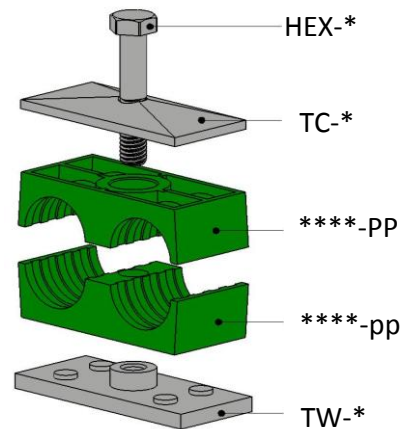


TWIN SERIES PIPE & TUBE CLAMPS



Group	Part #	Pipe/Tube Size (in)	Clamp O.D. D	W	H	C	U	S	BOLT SIZE	Pipe/Tube Size (mm)
T1	T-1064-PP-TC-TW	¼ T	0.250	1.437	0.812	0.781	0.562	1.343	¼-20 1-Lg	6.4
	T-1095-PP-TC-TW	⅜ T	0.375							9.5
T2	T-2025-PP-TC-TW	¼ T	0.250	2.187	1.000	1.250	0.687	2.031	5/16-18 1¼-Lg	6.4
	T-2038-PP-TC-TW	⅜ T	0.375							9.5
	T-20405-PP-TC-TW	⅝ P	0.405							10.2
	T-2127-PP-TC-TW	½ T	0.500							12.7
	T-2137-PP-TC-TW	¾ P	0.540							13.7
	T-2160-PP-TC-TW	⅝ T	0.625							16
	T-2171-PP-TC-TW	⅝ P	0.675							17.1
T3	T-3190-PP-TC-TW	¾ T	0.750	2.687	1.500	1.437	0.937	2.562	5/16-18 1¼-Lg	19
	T-3213-PP-TC-TW	½ P	0.840							21.3
	T-3222-PP-TC-TW	⅝ T	0.875							22.2
	T-3254-PP-TC-TW	1 T	1.000							25.4
T4	T-4087-PP-TC-TW	⅝ T	0.875	3.187	1.750	1.812	1.062	2.875	5/16-18 2-Lg	22.2
	T-4100-PP-TC-TW	1 T	1.000							25.4
	T-4101-PP-TC-TW	¾ P	1.050							26.6
T5	T-5320-PP-TC-TW	1¼ T	1.250	4.062	2.250	2.187	1.312	3.687	5/16-18 2½-Lg	32
	T-5334-PP-TC-TW	1 P	1.315							33.4
	T-5381-PP-TC-TW	1½ T	1.500							38.1
	T-5422-PP-TC-TW	1¼ P	1.660							42.2

** Specify clamp material: PP = Polypropylene, SP = Santoprene



USA Tel: 716-283-8780
Fax: 716-283-8781



Cdn Tel: 905-545-2038
Fax: 905-545-0528

Email: wbisson@trilexfluidpower.com
Web: trilexfluidpower.com