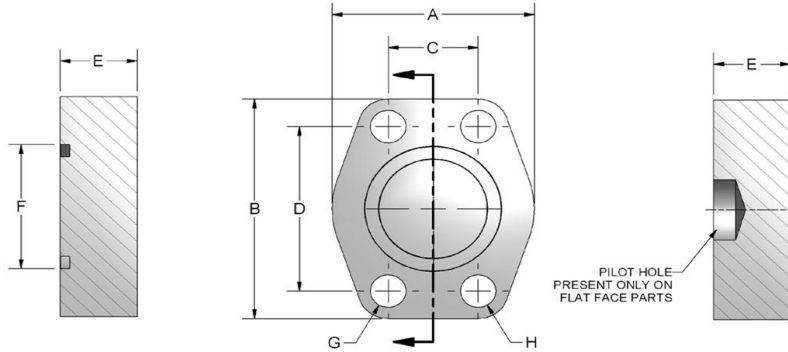
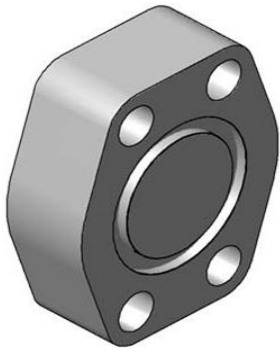


## SAE 4 BOLT FLANGES

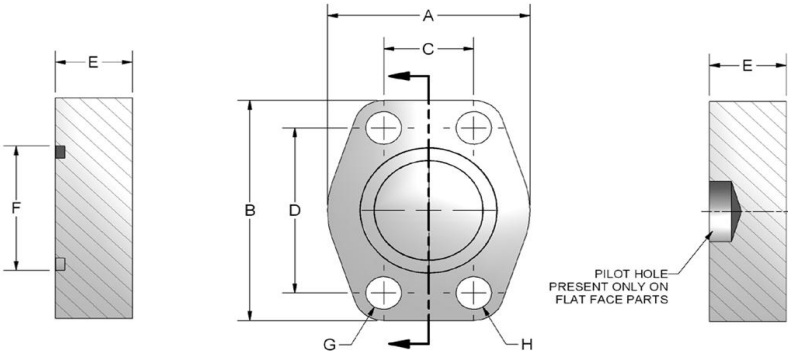
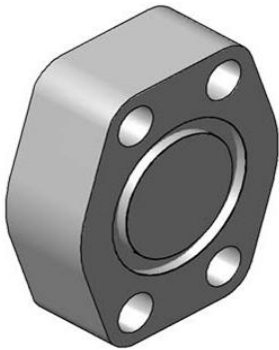


### 3000PSI BLANKING FLANGE-CODE 61

Part No. O-Ring (Fig. 1)	Part No. Flat (Fig. 2)	Port Size	Pad Size	A	B	C	D	E	F	G	H	J NPTF	K	L UNC-2B	Mounting Hardware	
															O-Ring	SHCS
TR36-08-08-U	TR37-08-08	0.50	0.50	1.81	2.21	0.718	1.594	1.42	0.63	1.000	0.502	½-14	0.344	⅝-18	210	5/16-18 x 1.25
TR36-12-12-U	TR37-12-12	0.75	0.75	2.17	2.80	0.937	2.000	1.38	0.83	1.250	0.752	¾-14	0.406	⅝-16	214	3/8-16 x 1.50
TR36-16-16-U	TR37-16-16	1.00	1.00	2.56	3.19	1.093	2.250	1.65	0.98	1.560	1.002	1-11.5	0.492	7/16-14	219	7/16-14 x 1.75
TR36-20-20-U	TR37-20-20	1.25	1.25	3.07	3.75	1.250	2.625	1.77	1.06	1.750	1.252	1¼-11.5	0.531	½-13	222	1/2-13 x 1.75
TR36-24-24-U	TR37-24-24	1.50	1.50	3.70	4.41	1.437	3.125	1.97	1.18	2.115	1.502	1½-11.5	0.656	¾-11	225	5/8-11 x 2.25
TR36-32-32-U	TR37-32-32	2.00	2.00	4.50	5.28	1.750	3.812	2.56	1.46	2.490	2.002	2-11.5	0.781	¾-10	228	3/4-10 x 2.75

Part Numbers with "U" Suffix include Bolt Kit and O'Ring

Dimensions are approximate & subject to change without notice.



### 6000PSI BLANKING FLANGE-CODE 62

Part	Part	Port	Pad	A	B	C	D	E	F	G	H	L UNF-2B	K	L UNC-2B	Mounting Hardware	
															O-Ring	SHCS
TR38-08-08-U	TR39-08-08	0.50	0.50	1.81	2.21	0.718	1.594	1.42	0.63	1.000	0.502	¾-16	0.344	⅝-18	210	5/16-18 x 1.25
TR38-12-12-U	TR39-12-12	0.75	0.75	2.17	2.80	0.937	2.000	1.38	0.83	1.250	0.752	1⅛-12	0.406	¾-16	214	3/8-16 x 1.50
TR38-16-16-U	TR39-16-16	1.00	1.00	2.56	3.19	1.093	2.250	1.65	0.98	1.560	1.002	1⅜-12	0.492	7/16-14	219	7/16-14 x 1.75
TR38-20-20-U	TR39-20-20	1.25	1.25	3.07	3.75	1.250	2.625	1.77	1.06	1.750	1.252	1½-12	0.531	½-13	222	1/2-13 x 1.75
TR38-24-24-U	TR39-24-24	1.50	1.50	3.70	4.41	1.437	3.125	1.97	1.18	2.115	1.502	1¾-12	0.656	¾-11	225	5/8-11 x 2.25
TR38-32-32-U	TR39-32-32	2.00	2.00	4.50	5.28	1.750	3.812	2.56	1.46	2.490	2.002	2½-12	0.781	¾-10	228	3/4-10 x 2.75

Part Numbers with "U" Suffix include Bolt Kit and O'Ring

Dimensions are approximate & subject to change without notice.



USA Tel: 716-283-8780  
Fax: 716-283-8781



Cdn Tel: 905-545-2038  
Fax: 905-545-0528

Email: [wbisson@trilexfluidpower.com](mailto:wbisson@trilexfluidpower.com)  
Web: [trilexfluidpower.com](http://trilexfluidpower.com)