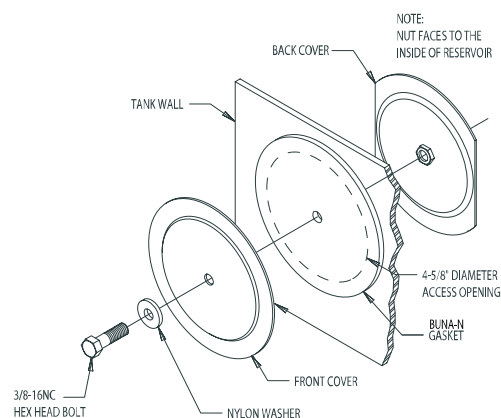
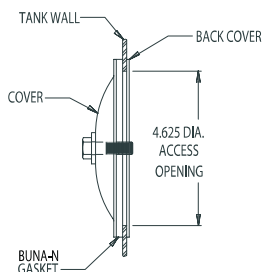


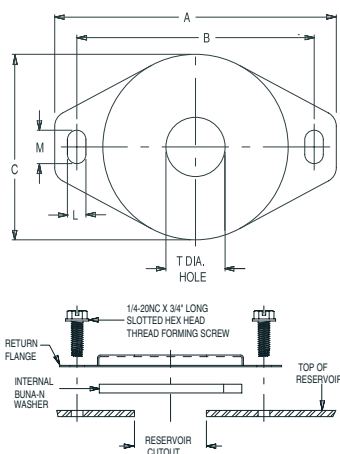
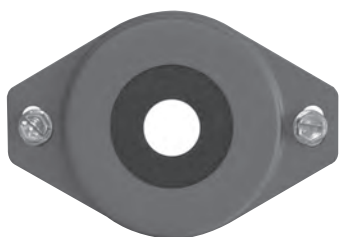
6" CLEAN-OUT COVER

Transpower 6" Clean-Out Cover is designed to provide easy access to reservoirs through sidewalls or top. 6" Clean-Out cover is available in zinc plated steel or 316 stainless steel as assembly only. Access opening: 4 5/8" diameter.



| Part Number | Description |
|-------------|---------------------|
| EC6 | Zinc Plated Steel |
| EC6-SS | 316 Stainless Steel |

Transpower Return Flanges are designed to accommodate the return pipe to the tank. Return Flanges are quickly and easily installed on the tank as shown.



| Part Number | Pipe Size | A | B | C | L | M | T | Reservoir Cutout |
|-------------|-----------|--------|----|--------|-------|-------|---------|------------------|
| RF-000N | N/A | 4 3/4" | 4" | 3 1/8" | 5/16" | 9/16" | 1 3/16" | N/A |
| RF-500N | 1/2" | 4 3/4" | 4" | 3 1/8" | 5/16" | 9/16" | 1 3/16" | 1 3/16" |
| RF-750N | 3/4" | 4 3/4" | 4" | 3 1/8" | 5/16" | 9/16" | 1 3/4" | 1 3/4" |
| RF-100N | 1" | 4 3/4" | 4" | 3 1/8" | 5/16" | 9/16" | 1 3/4" | 1 3/4" |
| RF-125N | 1 1/4" | 4 3/4" | 4" | 3 1/8" | 5/16" | 9/16" | 2 1/2" | 2 1/2" |
| RF-150N | 1 1/2" | 4 3/4" | 4" | 3 1/8" | 5/16" | 9/16" | 2 1/2" | 2 1/2" |
| RF-200N | 2" | 4 3/4" | 4" | 3 1/8" | 5/16" | 9/16" | 2 1/2" | 2 1/2" |

T' Hole is clearance hole size in metal flange.

| Part Number | Tube Size (O.D.) | A | B | C | L | M | T | Reservoir Cutout |
|-------------|------------------|--------|----|--------|-------|-------|---------|------------------|
| RF-375T | 3/8" | 4 3/4" | 4" | 3 1/8" | 5/16" | 9/16" | 1 3/16" | N/A |
| RF-500T | 1/2" | 4 3/4" | 4" | 3 1/8" | 5/16" | 9/16" | 1 3/16" | 1 3/16" |
| RF-750T | 3/4" | 4 3/4" | 4" | 3 1/8" | 5/16" | 9/16" | 1 3/16" | 1 3/16" |
| RF-100T | 1" | 4 3/4" | 4" | 3 1/8" | 5/16" | 9/16" | 1 3/4" | 1 3/4" |
| RF-125T | 1 1/4" | 4 3/4" | 4" | 3 1/8" | 5/16" | 9/16" | 2 1/2" | 2 1/2" |
| RF-150T | 1 1/2" | 4 3/4" | 4" | 3 1/8" | 5/16" | 9/16" | 2 1/2" | 2 1/2" |
| RF-200T | 2" | 4 3/4" | 4" | 3 1/8" | 5/16" | 9/16" | 2 1/2" | 2 1/2" |

T' Hole is clearance hole size in metal flange.

Specifications are subject to change without notice