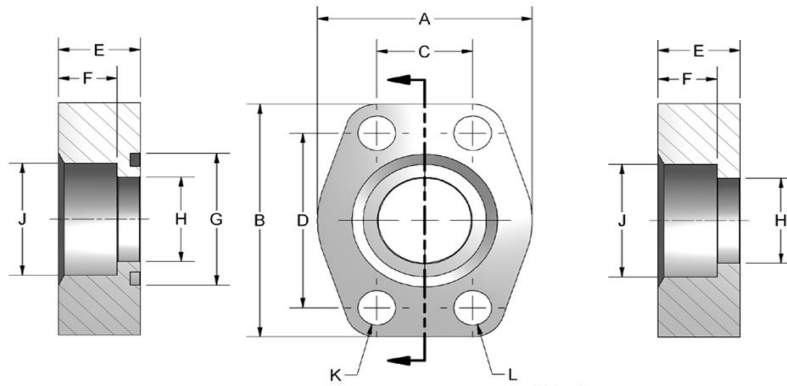
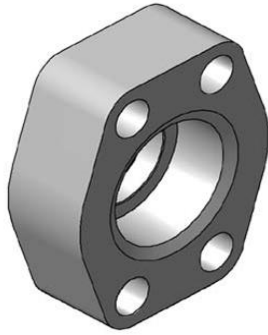


## SAE 4 BOLT FLANGES

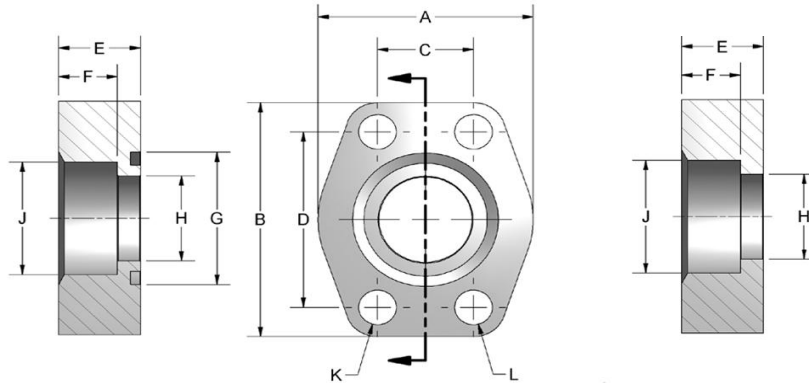
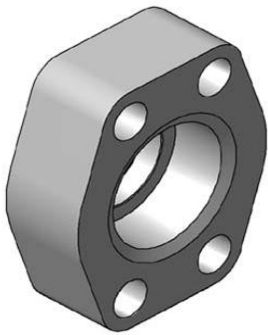


### 3000PSI FLAT SOCKET-PIPE CODE 61

Part No. O-Ring (Fig. 1)	Part No. Flat (Fig. 2)	Port Size	Pad Size	A	B	C	D	E	F	G	H	J	K	L UNC-2B	Mounting Hardware	
															O-Ring	SHCS
TR4-08-08-U	TR61-08-08	0.50	0.50	1.81	2.13	0.688	1.500	1.42	0.63	1.000	0.502	1.00	0.344	5/16-18	210	5/16-18 x 1.25
TR4-12-12-U	TR61-12-12	0.75	0.75	1.97	2.56	0.875	1.875	1.42	0.71	1.250	0.752	1.25	0.406	3/8-16	214	3/8-16 x 1.50
TR4-16-16-U	TR61-16-16	1.00	1.00	2.17	2.75	1.031	2.062	1.50	0.71	1.560	1.002	1.56	0.406	3/8-16	219	3/8-16 x 1.50
TR4-20-20-U	TR61-20-20	1.25	1.25	2.68	3.12	1.188	2.312	1.61	0.83	1.750	1.252	1.75	0.469	7/16-14	222	7/16-14 x 1.75
TR4-24-24-U	TR61-24-24	1.50	1.50	3.07	3.66	1.406	2.750	1.77	0.98	2.115	1.502	2.16	0.531	1/2-13	225	1/2-13 x 1.75
TR4-32-32-U	TR61-32-32	2.00	2.00	3.54	4.00	1.688	3.062	1.77	0.98	2.490	2.002	2.50	0.531	1/2-13	228	1/2-13 x 1.75
TR4-40-40-U	TR61-40-40	2.50	2.50	4.09	4.49	2.000	3.500	1.97	0.98	2.995	2.502	3.00	0.531	1/2-13	232	1/2-13 x 1.75
TR4-48-48-U	TR61-48-48	3.00	3.00	4.88	5.28	2.438	4.188	1.97	1.06	3.615	3.002	3-8	0.656	5/8-11	237	5/8-11 x 2.00

Part Numbers with "U" Suffix include Bolt Kit and O'Ring

Dimensions are approximate & subject to change without notice.



### 500 PSI FLAT SOCKET-PIPE

Part No. O-Ring (Fig. 1)	Part No. Flat (Fig. 2)	Port Size	Pad Size	A	B	C	D	E	F	G	H	J	K	L UNC-2B	Mounting Hardware	
															O-Ring	SHCS
TR72-48-48-U	TR91-48-48	3.00	3.00	5.12	5.31	2.438	4.188	1.38	1.12	3.615	3.000	3.62	0.656	5/8-11	237	5/8-11x2.50
TR72-56-56-U	TR91-56-56	3.50	3.50	5.50	6.00	2.750	4.750	1.44	1.19	4.095	3.500	4.10	0.656	5/8-11	241	5/8-11x2.50
TR72-64-64-U	TR91-64-64	4.00	4.00	6.00	6.38	3.062	5.125	1.50	1.25	4.595	4.000	4.60	0.656	5/8-11	245	5/8-11x2.50

Part Numbers with "U" Suffix include Bolt Kit and O'Ring

Dimensions are approximate & subject to change without notice.



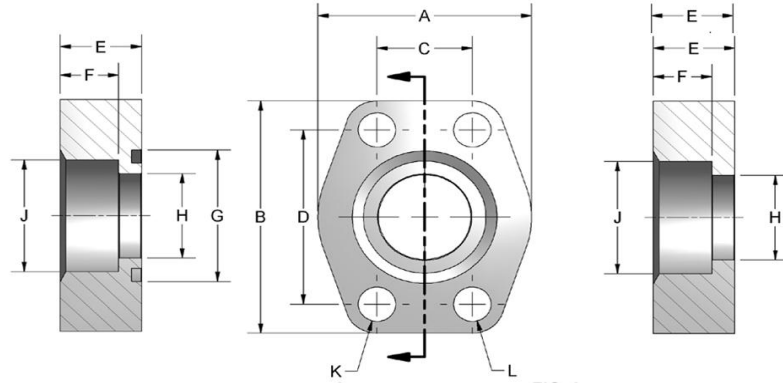
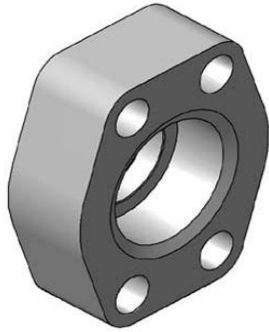
USA Tel: 716-283-8780  
Fax: 716-283-8781



Cdn Tel: 905-545-2038  
Fax: 905-545-0528

Email: [wbisson@trilexfluidpower.com](mailto:wbisson@trilexfluidpower.com)  
Web: [trilexfluidpower.com](http://trilexfluidpower.com)

## SAE 4 BOLT FLANGES



### 6000PSI FLAT SOCKET-PIPE CODE 62

Part No. O-Ring (Fig. 1)	Part No. Flat (Fig. 2)	Port Size	Pad Size	A	B	C	D	E	F	G	H	J NPTF	K	L UNC-2B	Mounting Hardware	
															O-Ring	SHCS
TR59-08-08-U	TR60-08-08	0.50	0.50	1.81	2.13	0.688	1.500	1.42	0.63	1.000	0.502	½-14	0.344	⅝-18	210	5/16-18 x 1.25
TR59-12-12-U	TR60-12-12	0.75	0.75	1.97	2.56	0.875	1.875	1.42	0.71	1.250	0.752	¾-14	0.406	⅝-16	214	3/8-16 x 1.50
TR59-16-16-U	TR60-16-16	1.00	1.00	2.17	2.75	1.031	2.062	1.50	0.71	1.560	1.002	1-11.5	0.406	⅝-16	219	3/8-16 x 1.50
TR59-20-20-U	TR60-20-20	1.25	1.25	2.68	3.12	1.188	2.312	1.61	0.83	1.750	1.252	1¼-11.5	0.469	7/16-14	222	7/16-14 x 1.75
TR59-24-24-U	TR60-24-24	1.50	1.50	3.07	3.66	1.406	2.750	1.77	0.98	2.115	1.502	1½-11.5	0.531	½-13	225	1/2-13 x 1.75
TR59-32-32-U	TR60-32-32	2.00	2.00	3.54	4.00	1.688	3.062	1.77	0.98	2.490	2.002	2-11.5	0.531	½-13	228	1/2-13 x 1.75

Part Numbers with "U" Suffix include Bolt Kit and O'Ring

Dimensions are approximate & subject to change without notice.

