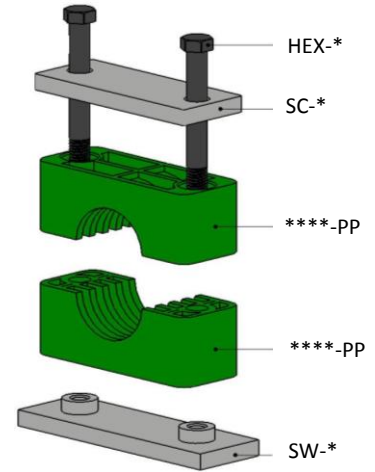
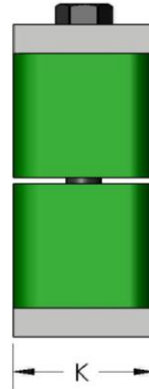
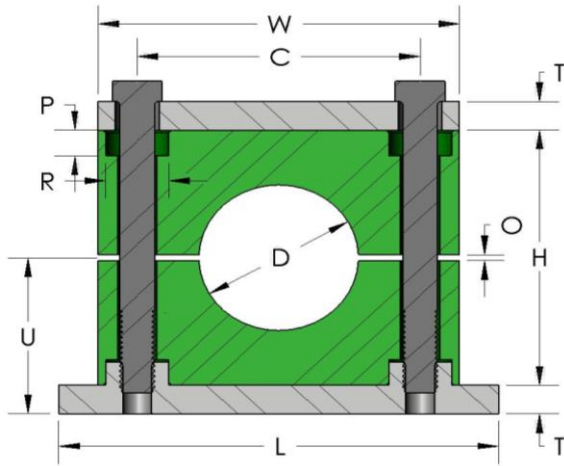


# HEAVY SERIES PIPE & TUBE CLAMPS



Group	Part #	Pipe/Tube Size (in)	Clamp O.D. D	W	H	C	T	K	L	O	P	R	U	BOLT LENGTH
H3	SH-3064-PP	¼ T	0.250	2.250	1.375	1.30	0.313	1.250	2.875	0.063	0.500	0.698	1.000	3/8-16 1¼ Lg
	SH-3095-PP	⅜ T	0.375											
	SH-3100-PP	½ P	0.405											
	SH-3127-PP	½ T	0.500											
	SH-3137-PP	¼ P	0.540											
	SH-3160-PP	⅜ T	0.625											
	SH-3171-PP	¾ P	0.675											
H4	SH-4190-PP	¼ T	0.750	2.750	1.875	1.77	0.313	1.250	3.375	0.063	0.500	0.698	1.250	3/8-16 2¼ Lg
	SH-4213-PP	½ P	0.840											
	SH-4222-PP	¾ T	0.875											
	SH-4254-PP	1 T	1.000											
	SH-4267-PP	¾ P	1.050											
H5	SH-5320-PP	1¼ T	1.250	3.375	2.375	2.36	0.313	1.250	4.000	0.063	0.500	0.698	1.500	3/8-16 2¼ Lg
	SH-5334-PP	1 P	1.315											
	SH-5381-PP	1½ T	1.500											
	SH-5422-PP	1¼ P	1.660											
H6	SH-6422-PP	1¼ P	1.660	4.500	3.500	3.53	0.375	1.750	5.875	0.125	0.625	0.778	2.125	7/16-14 4 Lg
	SH-6445-PP	1¼ T	1.750											
	SH-6483-PP	1½ P	1.900											
	SH-6508-PP	2 T	2.000											
	SH-6572-PP	2¼ T	2.250											
	SH-6603-PP	2 P	2.375											
	SH-6635-PP	2½ T	2.500											
H7	SH-6700-PP	2¾ T	2.750	6.000	4.750	4.81	0.375	2.250	7.375	0.125	0.750	0.940	2.750	5/8-11 5¼ Lg
	SH-7700-PP	2¾ P	2.750											
	SH-7730-PP	2½ T	2.875											
	SH-7762-PP	3 T	3.000											
	SH-7889-PP	3 P	3.500											
H8	SH-7889-PP	3½ T	3.500	8.000	6.625	6.62	0.500	3.000	10.000	0.187	1.000	1.188	3.812	3/4-10 7¼ Lg
	SH-8102-PP	4 T	4.000											
	SH-8114-PP	4 P	4.500											
	SH-8114-PP	4¼ T	4.500											
H9	SH-8127-PP	5 T	5.000	9.750	7.875	8.06	0.500	3.500	11.750	0.187	1.062	1.375	4.437	7/8-9 8¼ Lg
	SH-9127-PP	5 T	5.000											
	SH-9133-PP	5¼ T	5.250											
	SH-9141-PP	5 P	5.563											
	SH-9152-PP	6 T	6.000											
H10	SH-9168-PP	6 P	6.625	12.500	10.625	10.43	0.750	4.500	14.500	0.187	1.250	1.375	6.062	1½-7 11¼ Lg
	SH-10168-PP	6 P	6.625											
	SH-1010203-PP	8 T	8.000											
	SH-1010219-PP	8 P	8.625											

\*\* Specify clamp material: PP = Polypropylene, SP = Santoprene, AL = Aluminum

Above kits include two (2) clamp halves, one (1) cover plate, one (1) weld plate and two (2) hex bolts

For rail mounted option add 'RCN' to the above part number to replace weld plate with two (2) rail nuts. EG: BHCL-H3100-PP-RCN (For groups H3-H6 only)



USA Tel: 716-283-8780  
Fax: 716-283-8781



Cdn Tel: 905-545-2038  
Fax: 905-545-0528

Email: wbisson@trilexfluidpower.com  
Web: trilexfluidpower.com