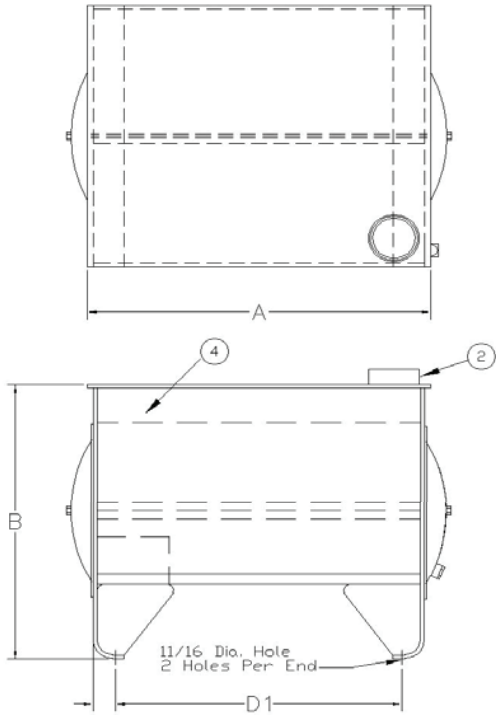
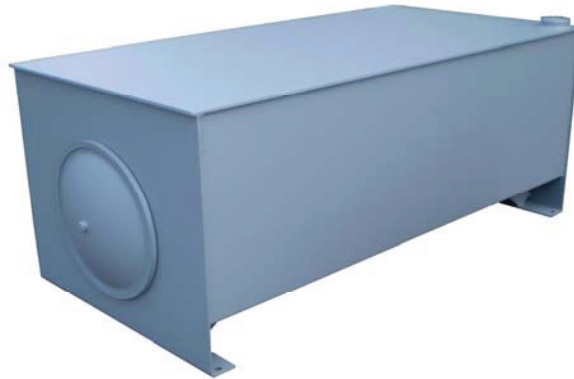
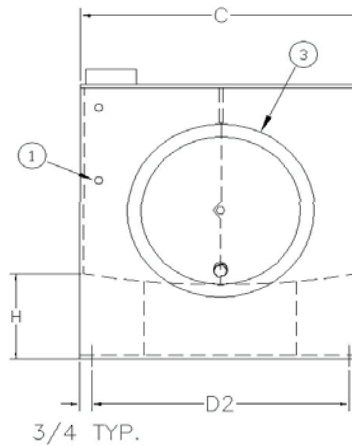


J.I.C. RESERVOIRS - "TRB" STYLE



1-3/8 TYP.



3/4 TYP.

Each "TRB" Style Reservoir includes:

- 1. (1) Oil Level & Temp. gauge holes
 - 2. (1) Riser for Filler Breather
 - 3. (2) Steel Endcovers with Gaskets
(1) Endcover incl. 3/4" SAE Drain & Plug
- Removable Baffle
Exterior of Reservoir prime painted
Interior coated with rust preventive oil

Sight Gauge:

10 to 300 Gal – 5" Sight Gauge (SLG-5T)

Filler Breather:

Bayonet Style – 40 micron (FBA-1-3S)

J.I.C. RESERVOIRS - "TRB" STYLE

PART #	CAPA. (GALLONS)	A length	B height	C width	MOUNTING CENTERS		END COVER	SIGHT GAUGE	PLATE THICKNESS			WEIGHT (lbs)	H
					D1 +/- 1/8"	D2 +/- 1/8"			END	TOP	BODY		
TRB.10	10	24"	18"	16"	20 1/4"	14 1/2"	12"	5"	10GA	3/16"	10ga	80	6"
TRB.15	15	26"	19"	18"	22 1/4"	16 1/2"	12"	5"	10GA	3/16"	10ga	105	6"
TRB.20	20	32"	18"	21"	28 1/4"	19 1/2"	12"	5"	10GA	3/16"	10ga	124	6"
TRB.30	30	36"	19 3/8"	24"	32 1/4"	22 1/2"	12"	5"	3/16"	3/16"	10ga	178	6"
TRB.40	40	36"	21"	24"	32 1/4"	22 1/2"	12"	5"	3/16"	3/16"	10ga	190	6"
TRB.50	50	36"	23"	24"	32 1/4"	22 1/2"	12"	5"	3/16"	3/16"	10ga	200	6"
TRB.60	60	38"	25"	25"	34 1/4"	23 1/2"	16"	5"	3/16"	3/16"	10ga	242	6"
TRB.80	80	47"	26 7/8"	30"	43 1/4"	28 1/2"	16"	5"	3/16"	1/4"	10ga	365	6"
TRB.100	100	47"	29"	30"	43 1/4"	28 1/2"	16"	5"	1/4"	1/4"	10ga	375	6"
TRB.120	120	60"	27"	30"	56 1/4"	28 1/2"	16"	5"	1/4"	1/4"	10ga	445	6"
TRB.150	150	60"	31"	30"	56 1/4"	28 1/2"	16"	5"	1/4"	1/4"	10ga	460	6"
TRB.200	200	72"	29"	36"	68 1/4"	34 1/2"	16"	5"	1/4"	3/8"	10ga	769	6"
TRB.300	300	82"	29"	48"	78 1/4"	46 1/2"	16"	5"	1/4"	3/8"	3/16"	860	6"

