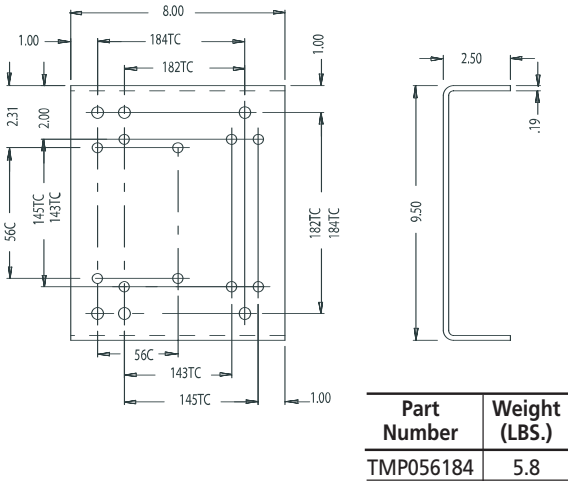
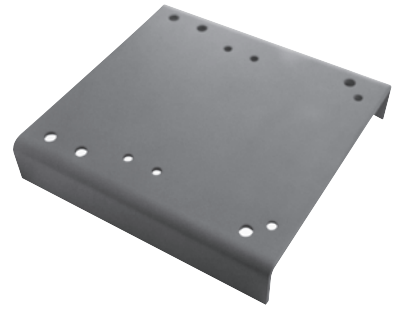
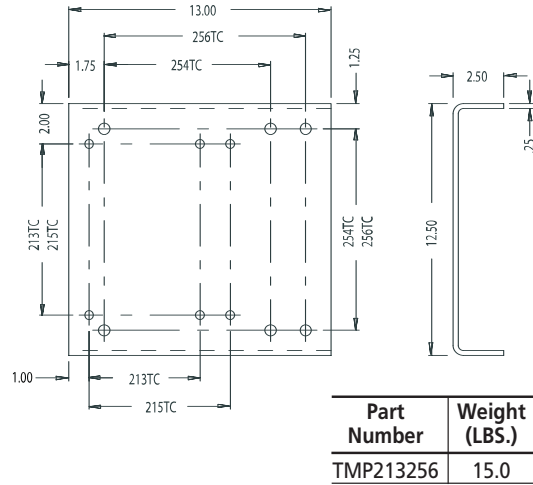


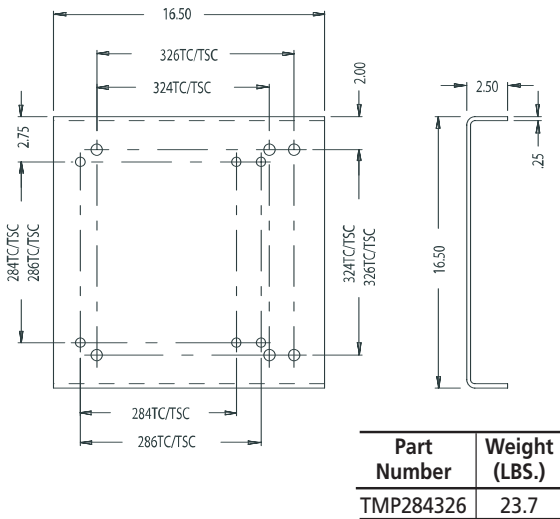
Transpower Motor Mounting Plates are completely drilled for Nema Frame Electric Motors. Drilling and tapping of reservoir top is not required. Motor Mounting Plates provide additional height for air circulation and piping. Reduces labor cost to mount motor/pump to reservoir.



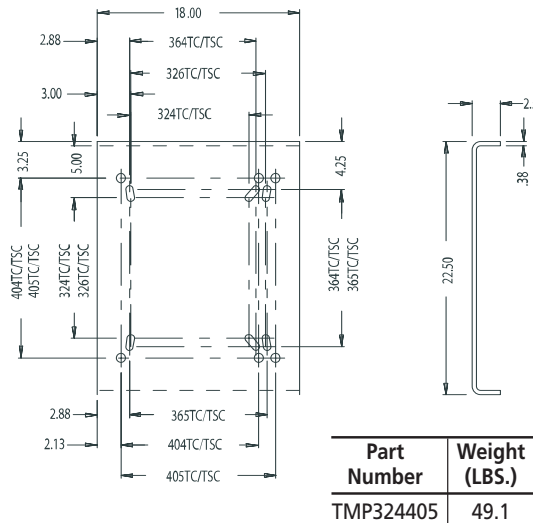
Note:
.375 dia. holes for 56C, 143TC, 145TC motors
.437 dia. holes for 182TC, 184TC motors



Note:
.437 dia. holes for 213TC, 215TC motors
.563 dia. holes for 254TC, 256TC motors



Note:
.563 dia. holes for 284TC/TSC, 286TC/TSC motors
.687 dia. holes for 324TC/TSC, 326TC/TSC motors



Note:
.656 dia. holes for 324TC/TSC, 326TC/TSC, 364TC/TSC, 365TC/TSC motors
.812 dia. holes for 404TC/TSC, 405TC/TSC motors

specifications are subject to change without notice