

SAE 4 BOLT FLANGES

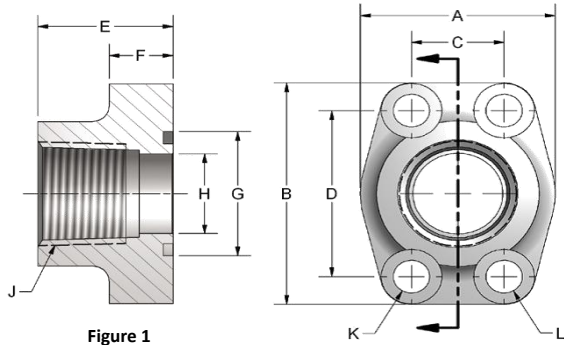
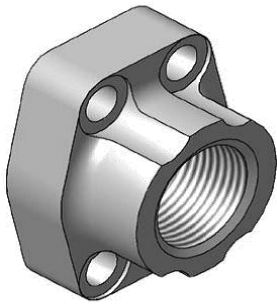


Figure 1

Figure 2

3000# CODE 61 NPTF THREAD

Part No. O-Ring (Fig. 1)	Part No. Flat (Fig. 2)	Port Size	Pad Size	A	B	C	D	E	F	G	H	J NPTF	K	L UNC-2B	Mounting Hardware	
															O-Ring	SHCS
TR43-08-08-U	TR104-08-08	0.50	0.50	1.81	2.13	0.688	1.500	1.42	0.63	1.000	0.502	½-14	0.344	⅝-18	210	5/16-18 x 1.25
TR43-12-12-U	TR104-12-12	0.75	0.75	1.97	2.56	0.875	1.875	1.42	0.71	1.250	0.752	¾-14	0.406	⅝-16	214	3/8-16 x 1.50
TR43-16-16-U	TR104-16-16	1.00	1.00	2.17	2.75	1.031	2.062	1.50	0.71	1.560	1.002	1-11.5	0.406	⅝-16	219	3/8-16 x 1.50
TR43-20-20-U	TR104-20-20	1.25	1.25	2.68	3.12	1.188	2.312	1.61	0.83	1.750	1.252	1¼-11.5	0.469	⅞-14	222	7/16-14 x 1.75
TR43-24-24-U	TR104-24-24	1.50	1.50	3.07	3.66	1.406	2.750	1.77	0.98	2.115	1.502	1½-11.5	0.531	⅞-13	225	1/2-13 x 1.75
TR43-32-32-U	TR104-32-32	2.00	2.00	3.54	4.00	1.688	3.062	1.77	0.98	2.490	2.002	2-11.5	0.531	⅞-13	228	1/2-13 x 1.75
TR43-40-40-U	TR104-40-40	2.50	2.50	4.09	4.49	2.000	3.500	1.97	0.98	2.995	2.502	2½-8	0.531	⅞-13	232	1/2-13 x 1.75
TR43-48-48-U	TR104-48-48	3.00	3.00	4.88	5.28	2.438	4.188	1.97	1.06	3.615	3.002	3-8	0.656	⅞-11	237	5/8-11 x 2.00

Part Numbers with "U" Suffix include Bolt Kit and O'Ring

Dimensions are approximate & subject to change without notice.

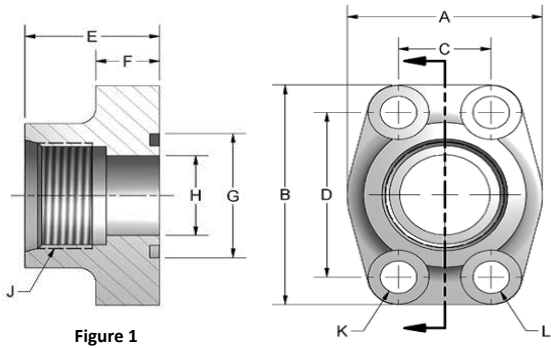
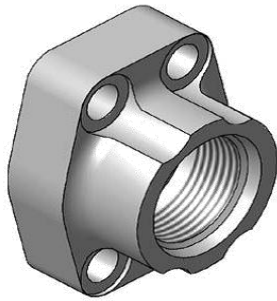


Figure 1

Figure 2

3000# CODE 61 SAE STRAIGHT THREAD

Part No. O-Ring (Fig. 1)	Part No. Flat (Fig. 2)	Port Size	Pad Size	A	B	C	D	E	F	G	H	L UNF-2B	K	L UNC-2B	Mounting Hardware	
															O-Ring	SHCS
TR46-08-08-U	TR106-08-08	0.50	0.50	1.81	2.13	0.688	1.500	1.42	0.63	1.000	0.502	½-16	0.344	⅝-18	210	5/16-18 x 1.25
TR46-12-12-U	TR106-12-12	0.75	0.75	1.97	2.56	0.875	1.875	1.42	0.71	1.250	0.752	1⅛-12	0.406	⅝-16	214	3/8-16 x 1.50
TR46-16-16-U	TR106-16-16	1.00	1.00	2.17	2.75	1.031	2.062	1.50	0.71	1.560	1.002	1⅜-12	0.406	⅝-16	219	3/8-16 x 1.50
TR46-20-20-U	TR106-20-20	1.25	1.25	2.68	3.12	1.188	2.312	1.61	0.83	1.750	1.252	1½-12	0.469	⅞-14	222	7/16-14 x 1.75
TR46-24-24-U	TR106-24-24	1.50	1.50	3.07	3.66	1.406	2.750	1.77	0.98	2.115	1.502	1¾-12	0.531	⅞-13	225	1/2-13 x 1.75
TR46-32-32-U	TR106-32-32	2.00	2.00	3.54	4.00	1.688	3.062	1.77	0.98	2.490	2.002	2½-12	0.531	⅞-13	228	1/2-13 x 1.75

Part Numbers with "U" Suffix include Bolt Kit and O'Ring

Dimensions are approximate & subject to change without notice.