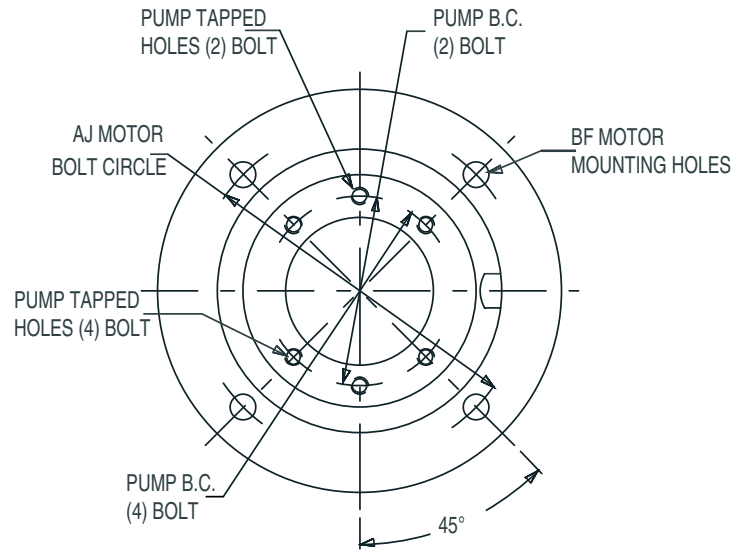
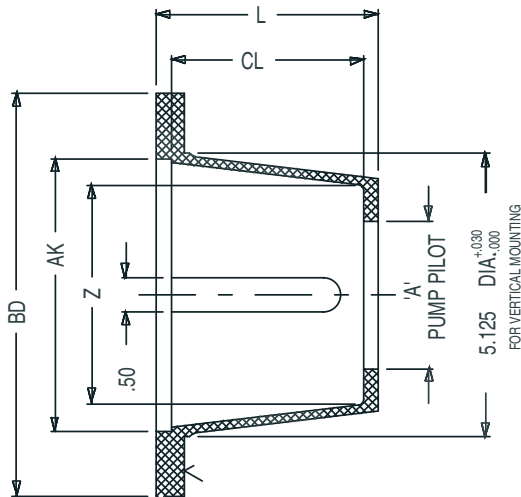


Pump/Motor Adapters for Nema Frame Electric Motors 56C, 143-145TC, 182/184UC



Motor Flange	AJ	AK	BD	BF
	5.88	4.50	6.68	1 ³ / ₂

Note: not all pump holes supplied on all adapters

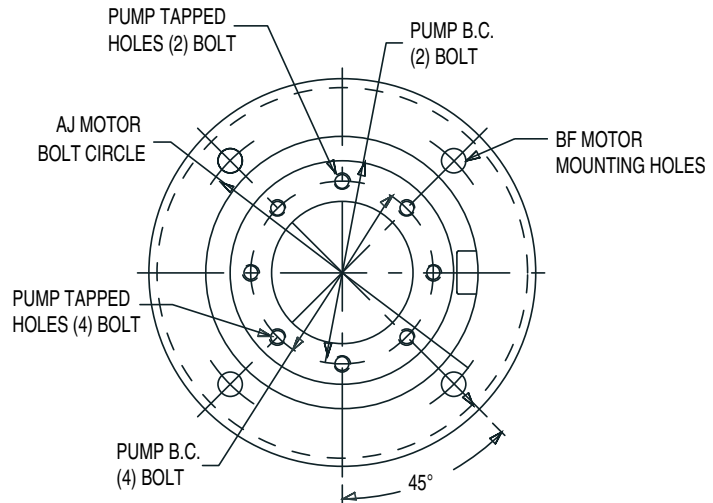
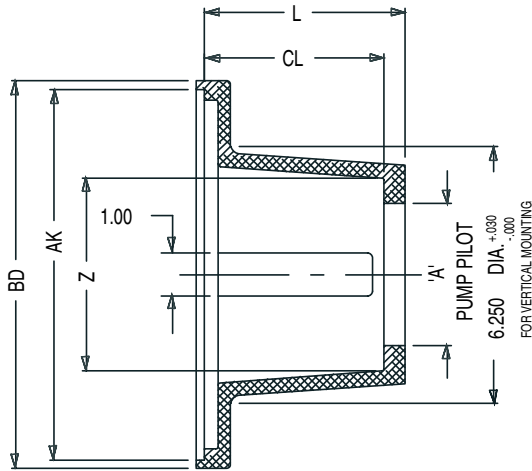
Horizontal or Vertical Mounting

Part Number	'L' Face To Face	Pump Flange Type	Pump Pilot 'A'	Pup Mounting Bolt Circle	Pump Tapped Holes	Inside Clearance CL	Max CPLG Dia. Z	Cover (included) Part Number	Weight
145-350-453	3.50	USA4F17 4 Bolt	1.782	2.84	3/16-18NC	2.750	3.750	145-350C	2.6#
145-350-508	3.50	SAE AA 2 Bolt	2.001	3.25	3/16-16NC	2.750	3.750	145-350C	2.6#
* 145-350-825	3.50	SAE A 2 BOLT	3.251	4.19	3/16-16NC	2.750	3.750	145-350C	2.4#
145-381-453	3.81	USA4F17 4 Bolt	1.782	2.84	3/16-18NC	3.063	3.750	145-381C	2.7#
145-381-508	3.81	SAE AA 2 Bolt	2.001	3.25	3/16-16NC	3.063	3.750	145-381C	2.7#
* 145-381-825	3.81	SAE A 2 BOLT	3.251	4.19	3/16-16NC	3.063	3.750	145-381C	2.5#
145-425-453	4.25	USA4F17 4 Bolt	1.782	2.84	3/16-18NC	3.500	3.750	145-425C	2.9#
145-425-508	4.25	SAE AA 2 Bolt	2.001	3.25	3/16-16NC	3.500	3.750	145-425C	2.9#
* 145-425-825	4.25	SAE A 2 BOLT	3.251	4.19	3/16-16NC	3.500	3.750	145-425C	2.7#

*includes (1) additional 45° mounting

Order additional/replacement covers by cover part number

Pump/Motor Adapters for Nema Frame Electric Motors 182TC thru 256TC, 213UC thru 256UC



Motor Flange	AJ	AK	BD	BF
	7.25	8.501	9.00	1 1/2

Horizontal or Vertical Mounting

Note: not all pump holes supplied on all adapters

Part Number	'L' Face To Face	Pump Flange Type	Pump Pilot 'A'	Pup Mounting Bolt Circle	Pump Tapped Holes	Inside Clearance CL	Max CPLG Dia. Z	Cover (included) Part Number	Weight
256-438-453	4.38	USA4F17 4 Bolt	1.782	2.84	5/16-18NC	3.937	4.750	256-438C	3.6#
256-438-508	4.38	SAE AA 2 Bolt	2.001	3.25	3/8-16NC	3.937	4.750	256-438C	3.6#
256-438-825	4.38	SAE A 2 BOLT	3.251	4.19	3/8-16NC	3.937	4.750	256-438C	3.4#
256-463-453	4.63	USA4F17 4 Bolt	1.782	2.84	5/16-18NC	4.187	4.750	256-463C	3.7#
256-463-508	4.63	SAE AA 2 Bolt	2.001	3.25	3/8-16NC	4.187	4.750	256-463C	3.6#
256-463-825	4.63	SAE A 2 BOLT	3.251	4.19	3/8-16NC	4.187	4.750	256-463C	3.5#
256-500-453	5.00	USA4F17 4 Bolt	1.782	2.84	5/16-18NC	4.563	4.750	256-500C	3.9#
256-500-508	5.00	SAE AA 2 Bolt	2.001	3.25	3/8-16NC	4.563	4.750	256-500C	3.8#
256-500-825	5.00	SAE A 2 BOLT	3.251	4.19	3/8-16NC	4.563	4.750	256-500C	3.6#
256-588-508	5.88	SAE AA 2 Bolt	2.001	3.25	3/8-16NC	5.437	4.750	256-588C	4.0#
256-588-825	5.88	SAE A 2 Bolt	3.251	4.19	3/8-16NC	5.437	4.750	256-588C	3.8#
256-588-630	5.88	Metric 4 BOLT	63mm	80mm	.406 thru	5.437	4.750	256-588C	4.0#

Order additional/replacement covers by cover part number

Specifications subject to change without notice