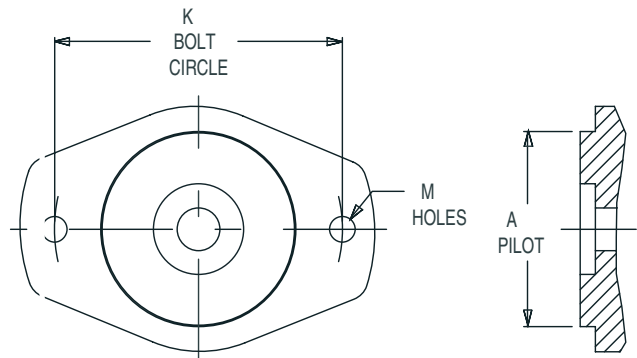


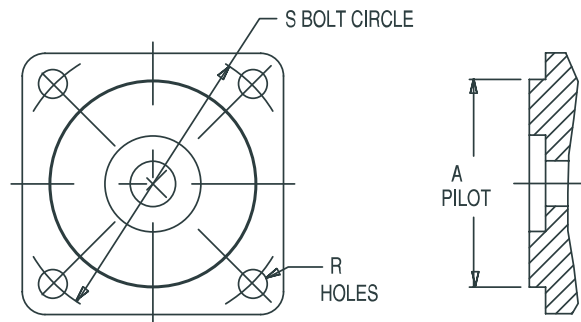
## 2 Bolt Mounting Flanges

Mounting Flange			Pilot Dimensions	Flange Dimensions	
SAE	USA	ANSI	A	K	M
AA	-	50-2	2.000-1.998	3.255 3.245	0.406
A	-	82-2	3.250-3.248	4.192 4.182	0.437
B	-	101-2	4.000-3.998	5.755 5.745	0.563
C	-	127-2	5.000-4.998	7.130 7.120	0.688
D	-	152-2	6.000-5.998	9.005 8.995	0.813
E	-	165-2	6.500-6.498	12.505 12.495	1.063
F	-	177-2	7.000-6.998	13.786 13.776	1.063



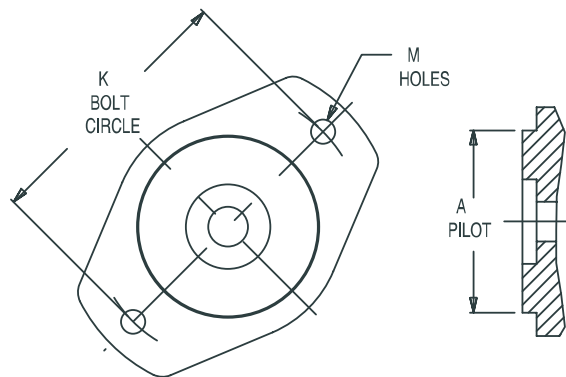
## 4 Bolt Mounting Flanges

Mounting Flange			Pilot Dimensions	Flange Dimensions	
SAE	USA	ANSI	A	S	R
-	4F17	-	1.781-1.799	2.843 2.833	0.375
B	4F40	101-4	4.000-3.998	5.005 4.995	0.563
C	4F50	127-4	5.000-4.998	6.380 6.370	0.563
D	4F60	152-4	6.000-5.998	9.005 8.995	0.813
E	4F65	165-4	6.500-6.498	12.505 12.495	0.813
F	4F70	177-4	7.000-6.998	13.786 13.776	1.063



## 2 Bolt 45° Offset Mounting Flanges

Mounting Flange			Pilot Dimensions	Flange Dimensions	
SAE	USA	ANSI	A	K	M
A45°	2F32 (45°)	82-2 (45°)	3.250-3.248	4.192 4.182	0.437
B45°	2F40 (45°)	101-2 (45°)	4.000-3.998	5.755 5.745	0.563
C45°	2F50 (45°)	125-2 (45°)	5.000-4.998	7.130 7.120	0.688



Specifications subject to change without notice