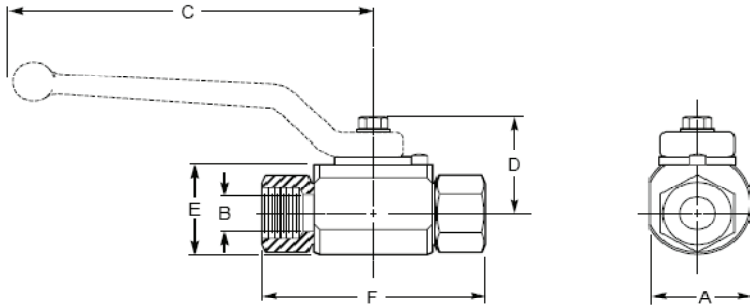


RKH SERIES HIGH PRESSURE BALL VALVES - 316 STAINLESS STEEL



PART NUMBER	NOMINAL SIZE	THREAD	WORKING PRESSURE	A	B	INCH DIMENSIONS C	D	E	F
RKH-14-NPT-4425	1/4"	1/4" NPT F	5880 PSI						
RKH-14-BSP-4425	1/4"	1/4" BSP P	5880 PSI	1.38	.24	4.21	1.20	1.25	2.72
RKH-14-SAE-4425	1/4"	7/16-20 UNF	5880 PSI						
RKH-38-NPT-4425	3/8"	3/8" NPT F	5880 PSI						
RKH-38-BSP-4425	3/8"	3/8" BSP P	5880 PSI	1.38	.31	4.21	1.20	1.25	2.87
RKH-38-SAE-4425	3/8"	9/16-18 UNF	5880 PSI						
RKH-12-NPT-4425	1/2"	1/2" NPT F	5880 PSI						
RKH-12-BSP-4425	1/2"	1/2" BSP P	5880 PSI	1.65	.51	4.21	1.29	1.49	3.62
RKH-12-SAE-4425	1/2"	3/4-16 UNF	5880 PSI						
RKH-34-NPT-4425	3/4"	3/4" NPT F	5880 PSI						
RKH-34-BSP-4425	3/4"	3/4" BSP P	5880 PSI	1.77	.79	6.50	1.33	1.57	3.82
RKH-34-SAE-4425	3/4"	1 1/16-12 UNF	5880 PSI						
RKH-1-NPT-4425	1"	1" NPT F	5880 PSI						
RKH-1-BSP-4425	1"	1" BSP P	5880 PSI	1.97	.94	6.50	1.69	1.81	4.45
RKH-1-SAE-4425	1"	1 5/16-12 UNF	5880 PSI						
RKH-114-NPT-4425	1 1/4"	1 1/4" NPT F	5145 PSI						
RKH-114-BSP-4425	1 1/4"	1 1/4" BSP P	5145 PSI	3.54	1.25	8.30	2.59	3.30	6.54
RKH-114-SAE-4425	1 1/4"	1 5/8-12 UNF	5145 PSI						
RKH-112-NPT-4425	1 1/2"	1 1/2" NPT F	5145 PSI						
RKH-112-BSP-4425	1 1/2"	1 1/2" BSP P	5145 PSI	3.26	1.49	8.30	2.73	3.62	7.14
RKH-112-SAE-4425	1 1/2"	1 7/8-12 UNF	5145 PSI						
RKH-2-NPT-4425	2"	2" NPT F	5145 PSI						
RKH-2-BSP-4425	2"	2" BSP P	5145 PSI	3.94	1.89	8.50	3.15	4.37	9.30
RKH-2-SAE-4425	2"	2 1/2-12 UNF	5145 PSI						

CONSTRUCTION: "316" STAINLESS STEEL BODY, BALL AND STEM
 VITON® "O" RINGS
 DELRIN® BALL SEATS
 FULL PORT