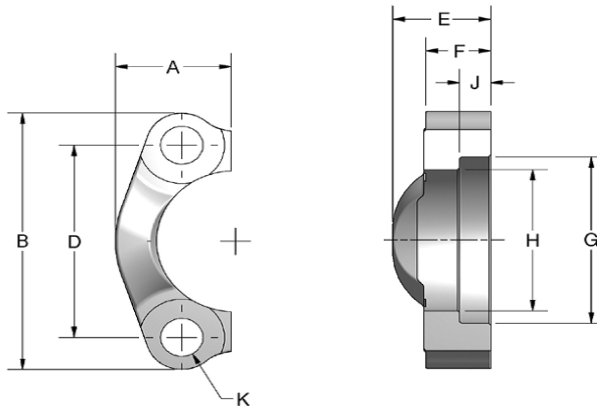
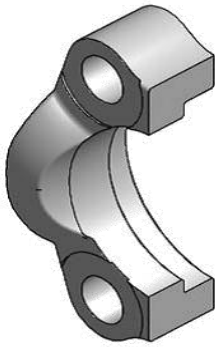
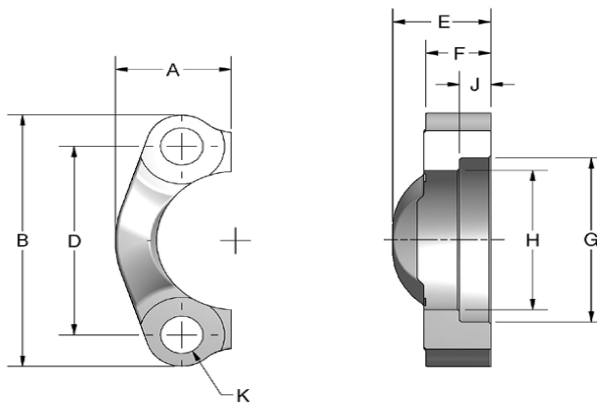
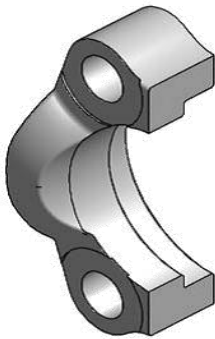


## SAE 4 BOLT FLANGES



### 3000# CODE 61 SPLIT FLANGE

Part No.*	**Kit Part No.	Port Size	A	B	C	D	E	F	G	H	J	Mounting Hardware	
												O-Ring	SHCS
TR-08SF-2	TR-08SF-0	0.50	0.86	2.12	1.500	0.75	0.50	1.219	0.955	0.245	0.344	210	5/16-18 x 1.25
TR-12SF-2	TR-12SF-0	0.75	0.98	2.56	1.875	0.88	0.56	1.531	1.265	0.245	0.406	214	3/8-16 x 1.25
TR-16SF-2	TR-16SF-0	1.00	1.11	2.75	2.062	0.94	0.62	1.781	1.515	0.295	0.406	219	3/8-16 x 1.25
TR-20SF-2	TR-20SF-0	1.25	1.39	3.12	2.312	0.88	0.56	2.031	1.720	0.295	0.469	222	7/16-14 x 1.50
TR-24SF-2	TR-24SF-0	1.50	1.58	3.69	2.750	1.00	0.62	2.406	2.000	0.295	0.531	225	1/2-13 x 1.50
TR-32SF-2	TR-32SF-0	2.00	1.86	4.00	3.062	1.03	0.62	2.844	2.470	0.355	0.531	228	1/2-13 x 1.50
TR-40SF-2	TR-40SF-0	2.50	2.09	4.50	3.500	1.50	0.75	3.344	2.950	0.355	0.531	232	1/2-13 x 1.75
TR-48SF-2	TR-48SF-0	3.00	2.53	5.31	4.188	1.62	0.88	4.031	3.580	0.355	0.656	237	5/8-11 x 1.75
TR-56SF-2	TR-56SF-0	3.50	2.70	6.00	4.750	1.12	0.88	4.531	4.030	0.422	0.656	241	5/8-11 x 2.00
TR-64SF-2	TR-64SF-0	4.00	2.95	6.38	5.125	1.38	1.00	5.031	4.530	0.422	0.656	245	5/8-11 x 2.00



### 6000# CODE 62 SPLIT FLANGE

Part No.*	**Kit Part No.	Port Size	A	B	C	D	E	F	G	H	J	Mounting Hardware	
												O-Ring	SHCS
TR-08SFX-2	TR-08SFX-0	0.50	0.89	2.22	1.594	0.88	0.62	1.281	0.970	0.285	0.344	210	5/16-18 x 1.25
TR-12SFX-2	TR-12SFX-0	0.75	1.14	2.81	2.000	1.12	0.75	1.656	1.280	0.325	0.406	214	3/8-16 x 1.50
TR-16SFX-2	TR-16SFX-0	1.00	1.33	3.19	2.250	1.31	0.94	1.906	1.530	0.355	0.469	219	7/16-14 x 1.75
TR-20SFX-2	TR-20SFX-0	1.25	1.48	3.75	2.625	1.50	1.06	2.156	1.750	0.385	0.531	222	1/2-13 x 1.75
TR-24SFX-2	TR-24SFX-0	1.50	1.83	4.44	3.125	1.69	1.19	2.531	2.030	0.475	0.656	225	5/8-11 x 2.25
TR-32SFX-2	TR-32SFX-0	2.00	2.20	5.25	3.812	2.06	1.44	3.156	2.660	0.475	0.781	228	3/4-10 x 2.75