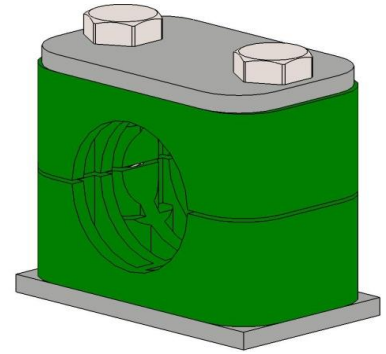
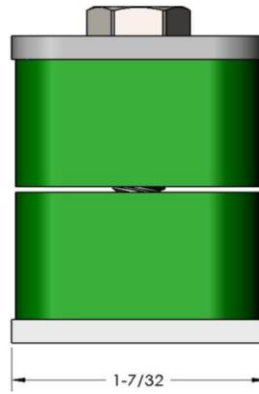
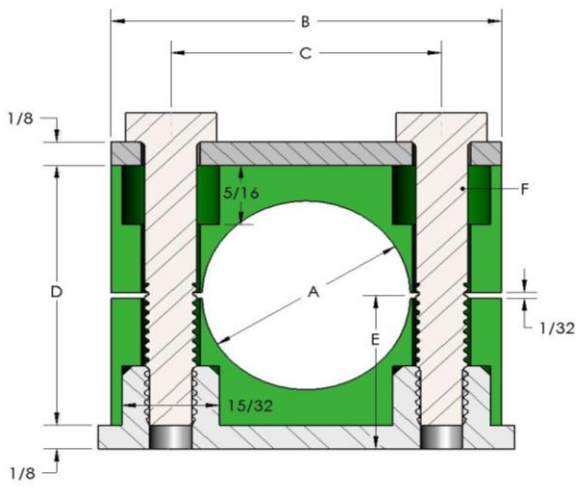
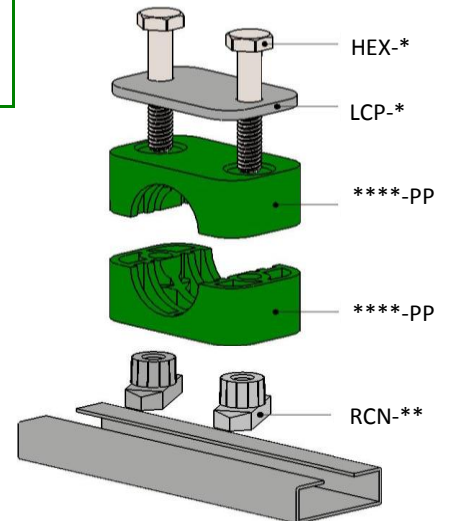
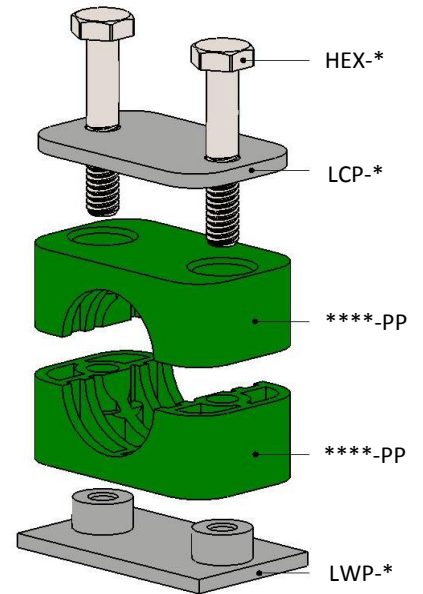


# STANDARD SERIES PIPE & TUBE CLAMPS



Group	Part #	Pipe/Tube Size (in)	Clamp O.D. A	B	C	D	E	Bolt Length F
1	1064-PP-LCP-LWP	¼ T	0.250"	1¾"	0.790"	1⅝"	0.6875"	1¼"
	1095-PP-LCP-LWP	⅜ T	0.375"					
	1100-PP-LCP-LWP	⅜ P	0.405"					
2	2127-PP-LCP-LWP	½ T	0.500"	1⅝"	1.020"	1⅝"	0.8125"	1½"
	2137-PP-LCP-LWP	¼ P	0.540"					
	2160-PP-LCP-LWP	⅜ T	0.625"					
	2171-PP-LCP-LWP	⅜ P	0.675"					
3	3190-PP-LCP-LWP	¾ T	0.750"	1⅝"	1.300"	1⅝"	0.8125"	1½"
	3213-PP-LCP-LWP	½ P	0.840"					
	3222-PP-LCP-LWP	⅞ T	0.875"					
	3254-PP-LCP-LWP	1 T	1.000"					
4	4266-PP-LCP-LWP	¾ P	1.050"	2¼"	1.580"	1⅝"	0.9375"	1¾"
	41125-PP-LCP-LWP	1⅞ T	1.125"					
5	5320-PP-LCP-LWP	1¼ T	1.250"	2¾"	2.050"	2⅝"	1.3125"	2½"
	5334-PP-LCP-LWP	1 P	1.315"					
	5381-PP-LCP-LWP	1½ T	1.500"					
	5422-PP-LCP-LWP	1¼ P	1.660"					
6	6445-PP-LCP-LWP	1¼ T	1.750"	3⅝"	2.600"	2⅝"	1.4375"	2¾"
	6483-PP-LCP-LWP	1½ P	1.900"					
	6508-PP-LCP-LWP	2 T	2.000"					
7	7572-PP-LCP-LWP	2¼ T	2.250"	5"	4.250"	4⅝"	1.3125"	4½"
	7603-PP-LCP-LWP	2 P	2.375"					
	7762-PP-LCP-LWP	2½ P	2.875"					
	7762-PP-LCP-LWP	3 T	3.000"					
	7350-PP-LCP-LWP	3½ T	3.500"					
	7350-PP-LCP-LWP	3 P	3.500"					



\*\* Specify clamp material: PP = Polypropylene, SP = Santoprene, AL = Aluminum

Above kits include two (2) clamp halves, one (1) cover plate, one (1) weld plate and two (2) hex bolts

For rail mounted option replace 'STW' in part number with 'RCN' to replace weld plate with two (2) rail nuts. EG: BHCL-3100-PP-COP-RCN



USA Tel: 716-283-8780  
Fax: 716-283-8781



Cdn Tel: 905-545-2038  
Fax: 905-545-0528

Email: wbisson@trilexfluidpower.com Web: trilexfluidpower.com