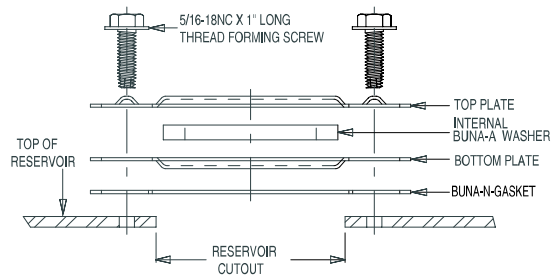
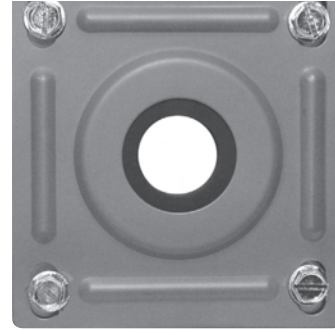
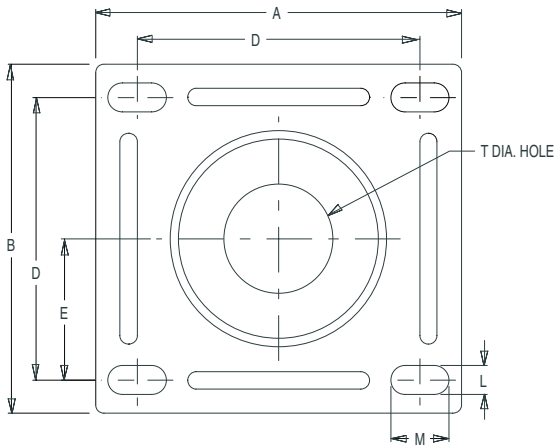


Transpower Suction Flanges are designed to provide a leakproof seal for pipes or tubes passing through the reservoir top. All sizes can serve as an economical inspection port or for easy removal of suction strainers.



SUCTION FLANGES

Part Number	Pipe Size	A	B	D	E	L	M	T	Reservoir Cutout
SF-500-000N	N/A	5 1/2"	5 1/4"	4 1/4"	2 1/8"	7/16"	7/8"	1 3/16"	4 1/2"
SF-500-500N	1/2"	5 1/2"	5 1/4"	4 1/4"	2 1/8"	7/16"	7/8"	1 3/16"	4 1/2"
SF-500-750N	3/4"	5 1/2"	5 1/4"	4 1/4"	2 1/8"	7/16"	7/8"	1 3/16"	4 1/2"
SF-500-100N	1"	5 1/2"	5 1/4"	4 1/4"	2 1/8"	7/16"	7/8"	1 3/4"	4 1/2"
SF-500-125N	1 1/4"	5 1/2"	5 1/4"	4 1/4"	2 1/8"	7/16"	7/8"	1 3/4"	4 1/2"
SF-500-150N	1 1/2"	5 1/2"	5 1/4"	4 1/4"	2 1/8"	7/16"	7/8"	2 1/2"	4 1/2"
SF-500-200N	2"	5 1/2"	5 1/4"	4 1/4"	2 1/8"	7/16"	7/8"	2 1/2"	4 1/2"
SF-700-150N	1 1/2"	7 1/2"	7 1/4"	6 1/4"	3 1/8"	7/16"	7/8"	3 1/8"	6 1/2"
SF-700-200N	2"	7 1/2"	7 1/4"	6 1/4"	3 1/8"	7/16"	7/8"	3 1/8"	6 1/2"
SF-700-250N	2 1/2"	7 1/2"	7 1/4"	6 1/4"	3 1/8"	7/16"	7/8"	3 3/4"	6 1/2"
SF-700-300N	3"	7 1/2"	7 1/4"	6 1/4"	3 1/8"	7/16"	7/8"	3 3/4"	6 1/2"

*T hole is clearance hole in metal flange

Part Number	Tube O.D.	A	B	D	E	L	M	T	Reservoir Cutout
SF-500-375T	3/8"	5 1/2"	5 1/4"	4 1/4"	2 1/8"	7/16"	7/8"	1 3/16"	4 1/2"
SF-500-500T	1/2"	5 1/2"	5 1/4"	4 1/4"	2 1/8"	7/16"	7/8"	1 3/16"	4 1/2"
SF-500-750T	3/4"	5 1/2"	5 1/4"	4 1/4"	2 1/8"	7/16"	7/8"	1 3/16"	4 1/2"
SF-500-100T	1"	5 1/2"	5 1/4"	4 1/4"	2 1/8"	7/16"	7/8"	1 3/4"	4 1/2"
SF-500-125T	1 1/4"	5 1/2"	5 1/4"	4 1/4"	2 1/8"	7/16"	7/8"	1 3/4"	4 1/2"
SF-500-150T	1 1/2"	5 1/2"	5 1/4"	4 1/4"	2 1/8"	7/16"	7/8"	2 1/2"	4 1/2"

*T hole is clearance hole in metal flange

Specifications are subject to change without notice