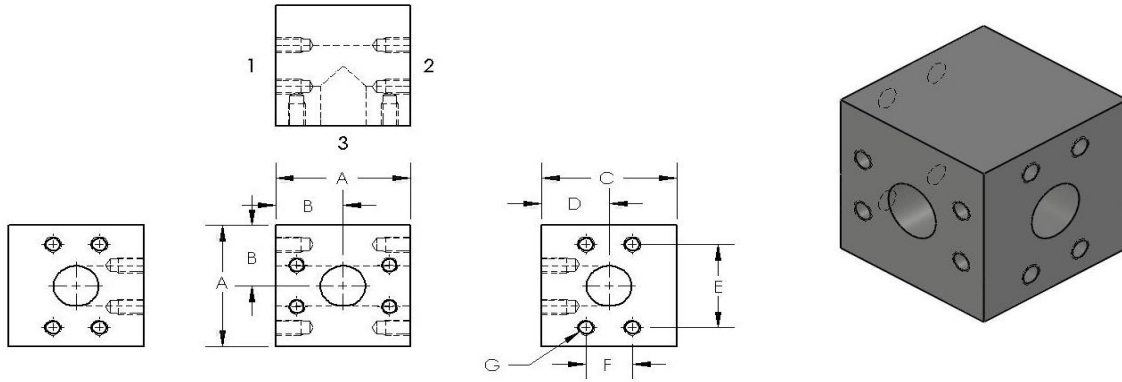


Code 61 Flange Tee-Blocks

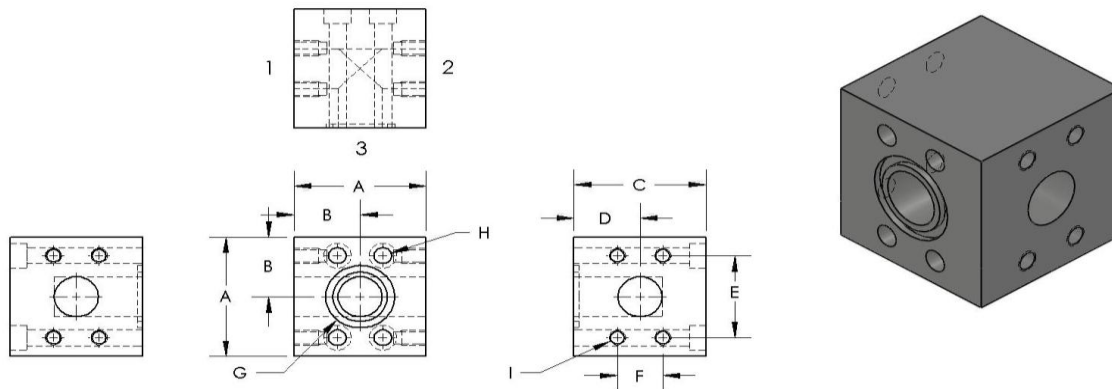


Nominal Flange Size (in)	Part Number 1 - 2 - 3	Dimensions (in)						G - Threaded Hole (UNC-2B)	Weight (lbs)
		A	B	C	D	E	F		
½	TRT3-308-308-308	3	1.5	3	1.5	1.500	0.688	5/16-18, ¾" max depth	7.1
¾	TRT3-312-312-312	3	1.5	3	1.5	1.875	0.875	3/8-16, ¾" max depth	6.8
1	TRT3-316-316-316	3	1.5	3	1.5	2.062	1.031	3/8-16, ¾" max depth	6.3
1-¼	TRT3-320-320-320	4	2.0	4	2.0	2.312	1.188	7/16-14, ¾" max depth	15.3
1-½	TRT3-324-324-324	4	2.0	4	2.0	2.750	1.406	1/2-13, 1" max depth	14.4
2	TRT3-332-332-332	4	2.0	4	2.0	3.062	1.688	1/2-13, 1" max depth	12.2
3	TRT3-348-348-348	6	3.0	6	3.0	4.188	2.438	5/8-11, 1-¼" max depth	41.1
4	TRT3-364-364-364	7	3.5	7	3.5	5.125	3.062	5/8-11, 1-¼" max depth	57.0
5	TRT3-380-380-380	8	4.0	8	4.0	6.000	3.625	5/8-11, 1-¼" max depth	74.6

NOTES - Tee-blocks with custom pad configuration, i.e. 332-332-316, available upon request.

- Material is 1018 steel, zinc dichromate plated, except for blocks with flange pads over 3", which are ductile iron. Stainless steel available.

Code 61 Flange Tee-Blocks with Clearance Pad Branch



Nominal Flange Size (in)	Part Number 1 - 2 - 3	Dimensions (in)						G - O-Ring Slot	H - Clearance Hole (in inches)	I - Threaded Hole (UNC-2B)	Weight (lbs)
		A	B	C	D	E	F				
½	TRTO-308-308-308	3	1.5	3	1.5	1.500	0.688	-210	0.344, 0.53 counterbore	5/16-18, ¾" max depth	7.1
¾	TRTO-312-312-312	3	1.5	3	1.5	1.875	0.875	-214	0.406, 0.63 counterbore	3/8-16, ¾" max depth	6.8
1	TRTO-316-316-316	3	1.5	3	1.5	2.062	1.031	-219	0.406, 0.63 counterbore	3/8-16, ¾" max depth	6.3
1-¼	TRTO-320-320-320	4	2.0	4	2.0	2.312	1.188	-222	0.469, 0.72 counterbore	7/16-14, ¾" max depth	15.3
1-½	TRTO-324-324-324	4	2.0	4	2.0	2.750	1.406	-225	0.531, 0.81 counterbore	1/2-13, 1" max depth	14.4
2	TRTO-332-332-332	4	2.0	4	2.0	3.062	1.688	-228	0.531, 0.81 counterbore	1/2-13, 1" max depth	12.2
3	TRTO-348-348-348	6	3.0	6	3.0	4.188	2.438	-237	0.656, 1.00 counterbore	5/8-11, 1-¼" max depth	41.1
4	TRTO-364-364-364	7	3.5	7	3.5	5.125	3.062	-245	0.656, 1.00 counterbore	5/8-11, 1-¼" max depth	57.0
5	TRTO-380-380-380	8	4.0	8	4.0	6.000	3.625	-251	0.656, 1.00 counterbore	5/8-11, 1-¼" max depth	74.6

NOTE - Material is 1018 steel, zinc dichromate plated, except for blocks with flange pads over 3", which are ductile iron. Stainless steel available.



USA Tel: 716-283-8780
Fax: 716-283-8781

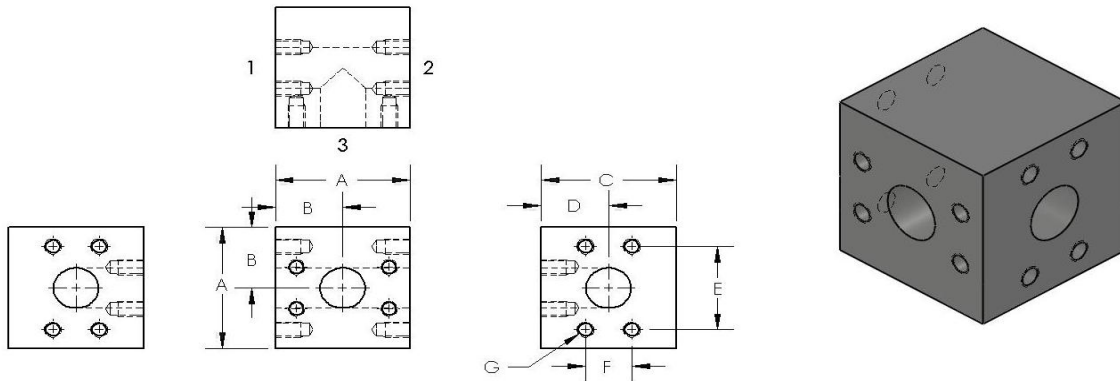


Cdn Tel: 905-545-2038
Fax: 905-545-0528

Email: wbisson@trilexfluidpower.com
Web: trilexfluidpower.com

CUSTOM CONFIGURATIONS AVAILABLE UPON REQUEST

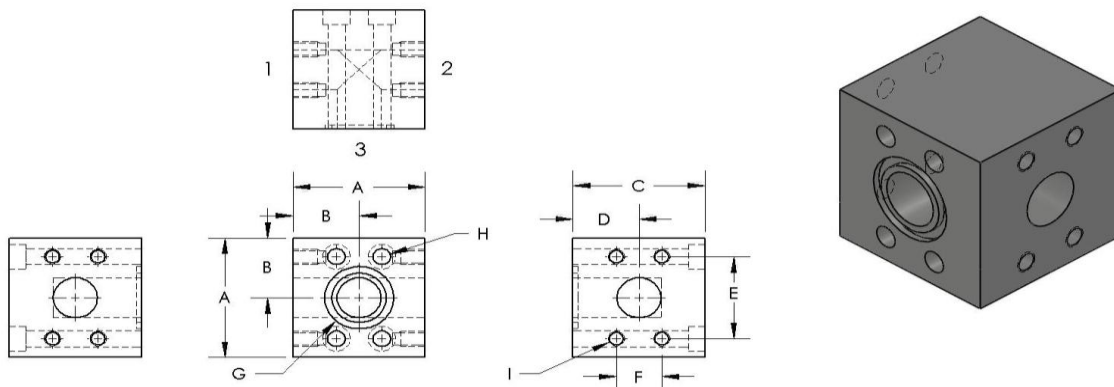
Code 62 Flange Tee-Blocks



Nominal Flange Size (in)	Part Number 1 - 2 - 3	Dimensions (in)						G - Threaded Hole (UNC-2B)	Weight (lbs)
		A	B	C	D	E	F		
½	TRT6-608-608-608	3.0	1.50	3.0	1.50	1.594	0.718	5/16-18, ¾" max depth	7.1
¾	TRT6-612-612-612	3.0	1.50	3.0	1.50	2.000	0.937	3/8-16, ¾" max depth	6.8
1	TRT6-616-616-616	4.0	2.00	4.0	2.00	2.250	1.093	7/16-14, ¾" max depth	15.3
1-¼	TRT6-620-620-620	4.0	2.00	4.0	2.00	2.625	1.250	1/2-13, 1" max depth	14.4
1-½	TRT6-624-624-624	5.0	2.50	5.0	2.50	3.125	1.437	5/8-11, 1-¼" max depth	30.2
2	TRT6-632-632-632	5.5	2.75	5.5	2.75	3.812	1.750	3/4-10, 1-½" max depth	37.9
3	TRT6-648-648-648	8.5	4.25	8.5	4.25	6.000	2.812	1-1/8-7, 2-¼ max depth	141.5

NOTES - Tee-blocks with custom pad configuration, i.e. 632-632-616, available upon request.
 - Material is 1018 steel, zinc dichromate plated, except for blocks with flange pads over 3", which are ductile iron. Stainless steel available.

Code 62 Flange Tee-Blocks with Clearance Pad Branch



Nominal Flange Size (in)	Part Number 1 - 2 - 3	Dimensions (in)						G - O-Ring Slot	H - Clearance Hole (in inches)	I - Threaded Hole (UNC-2B)	Weight (lbs)
		A	B	C	D	E	F				
½	TRTO-608-608-608	3.0	1.50	3.0	1.50	1.594	0.718	-210	0.344, 0.53 counterbore	5/16-18, ¾" max depth	7.1
¾	TRTO-612-612-612	3.0	1.50	3.0	1.50	2.000	0.937	-214	0.406, 0.63 counterbore	3/8-16, ¾" max depth	6.8
1	TRTO-616-616-616	4.0	2.00	4.0	2.00	2.250	1.093	-219	0.469, 0.72 counterbore	7/16-14, ¾" max depth	6.3
1-¼	TRTO-620-620-620	4.0	2.00	4.0	2.00	2.625	1.250	-222	0.531, 0.81 counterbore	1/2-13, 1" max depth	15.3
1-½	TRTO-624-624-624	5.0	2.50	5.0	2.50	3.125	1.437	-225	0.656, 1.00 counterbore	5/8-11, 1-¼" max depth	14.4
2	TRTO-632-632-632	5.5	2.75	5.5	2.75	3.812	1.750	-228	0.781, 1.19 counterbore	3/4-10, 1-½" max depth	12.2
3	TRTO-648-648-648	8.5	4.25	8.5	4.25	6.000	2.812	-237	0.906, 1.38 counterbore	1-1/8-7, 2-¼ max depth	41.1

NOTES - Tee-blocks with custom pad configuration, i.e. 632-632-616, available upon request.
 - Material is 1018 steel, zinc dichromate plated, except for blocks with flange pads over 3", which are ductile iron. Stainless steel available.

CUSTOM CONFIGURATIONS AVAILABLE UPON REQUEST



USA Tel: 716-283-8780
 Fax: 716-283-8781



Cdn Tel: 905-545-2038
 Fax: 905-545-0528

Email: wbisson@trilexfluidpower.com
 Web: trilexfluidpower.com