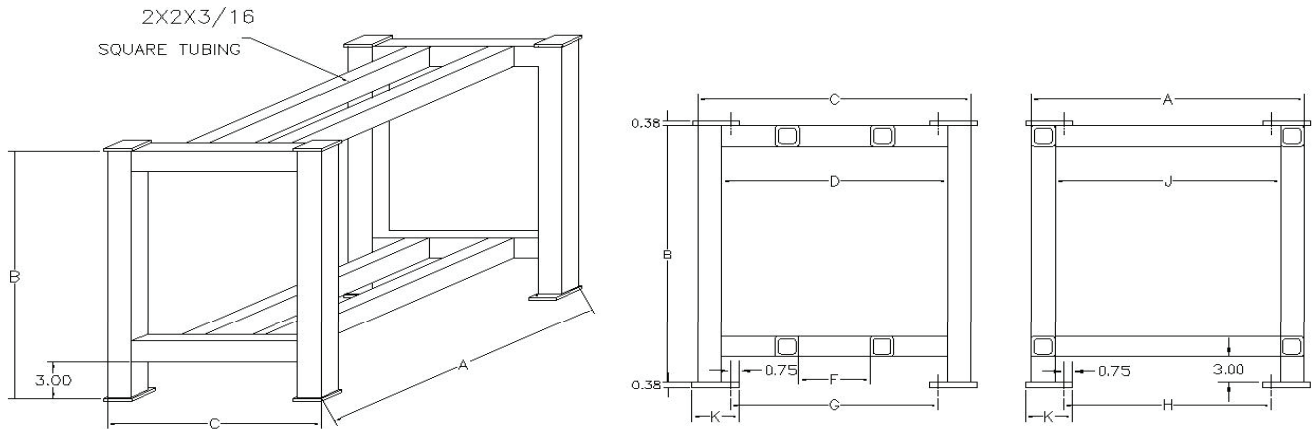


ELEVATED RESERVOIRS STANDS - "TWCS" STYLE

1. Hydraulic Reservoir stands for mounting standard JIC Reservoirs over the pump and motor
2. Provides positive feed to the pump
3. May be stacked for greater floor space savings
4. Easy reservoir mounting
5. Motor/Pump HSS supports located per your requirements...dim F
6. Optional drip trays available see page D19 for details
7. Custom frames available upon request
8. Stands can be fabricated from heavier material upon request



TWCS - ELEVATED RESERVOIR STANDS									
PART #	A length	B height	C width	D	F	G	H	J	K
TWCS-10	22"	24"	18"	14"	6"	12"	16"	18"	4"
TWCS-15	26"	24"	18"	14"	6"	12"	20"	22"	4"
TWCS-20	30"	24"	18"	14"	6"	12"	24"	26"	4"
TWCS-30	36"	24"	24"	20"	6"	18"	30"	32"	4"
TWCS-40	36"	24"	24"	20"	6"	18"	30"	32"	4"
TWCS-50	36"	24"	24"	20"	6"	18"	30"	32"	4"
TWCS-60	48"	32"	27"	28"	9"	21"	42"	44"	4"
TWCS-80	60"	32"	27"	28"	9"	21"	54"	56"	4"
TWCS-100	60"	32"	27"	28"	9"	21"	54"	56"	4"
TWCS-120	60"	32"	30"	28"	9"	24"	54"	56"	4"
TWCS-150	60"	32"	30"	28"	9"	24"	54"	56"	4"
TWCS-200	72"	32"	36"	28"	9"	30"	66"	68"	4"
TWCS-300	72"	32"	36"	28"	9"	30"	66"	68"	4"

Dimensions are approximate, in inches.