



PROVIDING QUALITY PRODUCTS SINCE 1995

VIBRATION BARS



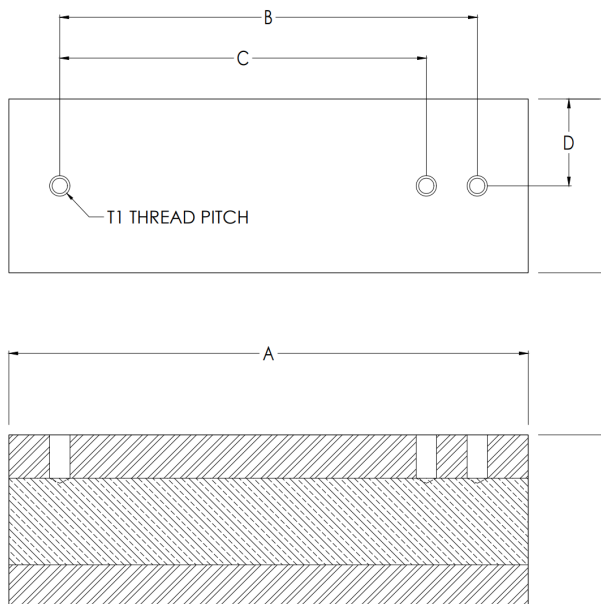
 905-545-2038

 716-283-8781

www.trilexfluidpower.com

CONTENTS

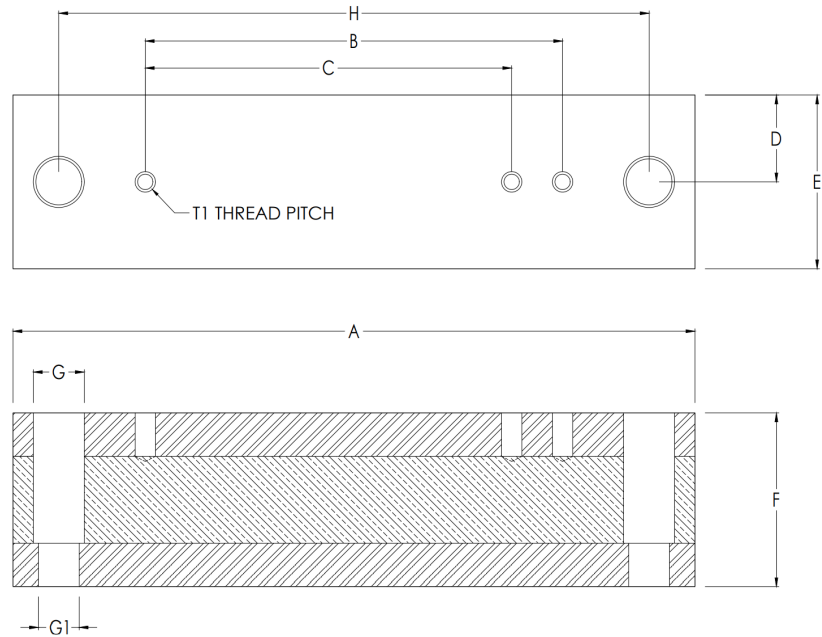
MOTOR VIBRATION WELDABLE MOUNTS	3
MOTOR DAMPENING BOLT-DOWN BARS	4



- Vulcanized bonding (not bolted together)
- Reduces both noise levels and vibrations
- Fully machined for NEMA motors
- 2 Required per motor
- Available from stock
- Metric sizes available upon request

VIBRATION BARS - WELDABLE

PART #	MOTOR FRAME	A	B	C	D	E	F	T1
TWSM-56	56C	4-3/4"	3"	-	1"	2"	1-3/4"	5/16-18NC
TWSM-143/145	145TC	6-1/2"	5"	4"	1"	2"	1-3/4"	5/16-18NC
TWSM-182/184	184TC	7"	5-1/2"	4-1/2"	1"	2"	1-3/4"	3/8-16NC
TWSM-213/215	215TC	9"	7"	5-1/2"	1"	2"	1-3/4"	3/8-16NC
TWSM-254/256	256TC	12-1/4"	10"	8-1/4"	1"	2"	1-3/4"	1/2-13NC
TWSM-284/286	286TC/TSC	13-1/4"	11"	9-1/2"	1-1/2"	3"	2"	1/2-13NC
TWSM-324/326	326TC/TSC	14"	12"	10-1/2"	1-1/2"	3"	2"	5/8-11NC
TWSM-364/365	365TC/TSC	14-1/2"	12-1/4"	11-1/4"	1-1/2"	3"	2"	5/8-11NC
TWSM-404/405	405TC/TSC	17"	13-3/4"	12-1/4"	2"	4"	2-3/8"	3/4-10NC
TWSM-444/445	445TC/TSC	24-9/32"	16-1/2"	14-1/2"	2-1/4"	4-1/2"	2-3/8"	3/4-10NC



- Vulcanized bonding (not bolted together)
- Reduces both noise levels and vibrations
- Fully machined for NEMA motors
- 2 Required per motor
- Available from stock
- Metric sizes available upon request

MOTOR DAMPENING BARS - BOLT DOWN

PART #	MOTOR FRAME	A	B	C	D	E	F	G	G1	H	T1
TBSM-143/145	145TC	8-3/4"	5"	4"	13/16"	2"	1-3/4"	13/16"	9/16"	7-1/4"	5/16-18NC
TBSM-182/184	184TC	9-3/4"	5-1/2"	4-1/2"	15/16"	2"	1-3/4"	13/16"	9/16"	8-1/4"	3/8-16NC
TBSM-213/215	215TC	11-1/2"	7"	5-1/2"	15/16"	2"	1-3/4"	13/16"	9/16"	10"	3/8-16NC
TBSM-254/256	256TC	14-3/4"	10"	8-1/4"	15/16"	2"	1-3/4"	13/16"	9/16"	13-1/4"	1/2-13NC
TBSM-284/286	286TC/TSC	16"	11"	9-1/2"	1-1/8"	3"	2"	1"	11/16"	14-1/4"	1/2-13NC
TBSM-324/326	326TC/TSC	17-1/2"	12"	10-1/2"	1-9/16"	3"	2"	1-1/4"	13/16"	15-1/2"	5/8-11NC
TBSM-364/365	365TC/TSC	18"	12-1/4"	11-1/4"	1-9/16"	3"	2"	1-1/4"	13/16"	16"	5/8-11NC
TBSM-404/405	405TC/TSC	21"	13-3/4"	12-1/4"	2"	4"	2-3/8"	1-9/16"	1-1/16"	18-3/4"	3/4-10NC
TBSM-444/445	445TC/TSC	26"	16-1/2"	14-1/2"	2-3/8"	5"	2-3/8"	1-9/16"	1-1/16"	23-3/4"	3/4-10NC



 905-545-2038 

 716-283-8781 

 www.trilexfluidpower.com

 wbisson@trilexfluidpower.com