

FLAT SOCKET WELD PIPE

FLANGES -
STAINLESS STEEL

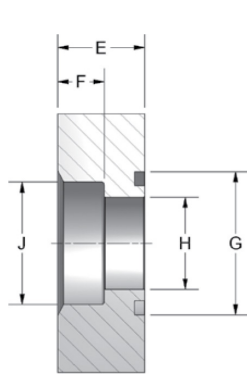


Figure 1

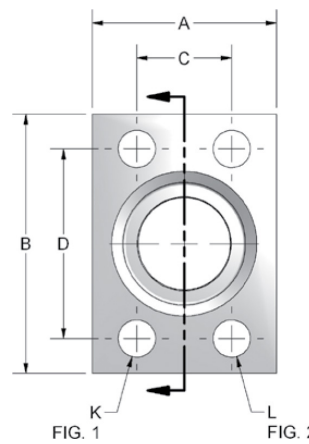


FIG. 1 FIG. 2

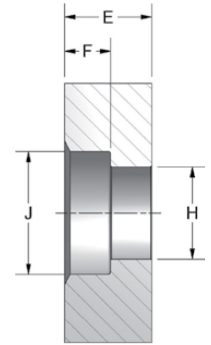


Figure 2

- Mounting kit available on o-ring grooved flanges by simply adding suffix letter 'U' to part number.

CODE 61 FLAT SOCKET WELD - PIPE

| PART NO. O-RING FIG. 1 | PART NO. FLAT FACE FIG. 2 | PIPE SIZE | PAD SIZE | A | B | C | D | E | F | G | H | J | K | L UNC-2B | MOUNTING HARDWARE | |
|------------------------------|---------------------------------|--------------|-------------|------|------|-------|-------|------|------|-------|-------|-------|-------|-------------|----------------------|--------------|
| | | | | | | | | | | | | | | | O-RING | SHCS |
| W4-8-8-SS | W61-8-8-SS | 0.50 | 0.50 | 1.50 | 2.12 | 0.688 | 1.500 | 0.69 | 0.38 | 1.000 | 0.502 | 0.860 | 0.344 | 5/16-18 | 210 | 5/16-18X1.25 |
| W4-12-12-SS | W61-12-12-SS | 0.75 | 0.75 | 1.75 | 2.62 | 0.875 | 1.875 | 0.94 | 0.50 | 1.250 | 0.752 | 1.070 | 0.406 | 3/8-16 | 214 | 3/8-16X1.75 |
| W4-16-16-SS | W61-16-16-SS | 1.00 | 1.00 | 2.00 | 2.82 | 1.031 | 2.062 | 0.94 | 0.50 | 1.560 | 1.002 | 1.335 | 0.406 | 3/8-16 | 219 | 3/8-16X1.75 |
| W4-20-20-SS | W61-20-20-SS | 1.25 | 1.25 | 2.50 | 3.19 | 1.188 | 2.312 | 0.94 | 0.50 | 1.750 | 1.252 | 1.680 | 0.469 | 7/16-14 | 222 | 7/16-14X1.75 |
| W4-24-24-SS | W61-24-24-SS | 1.50 | 1.50 | 2.75 | 3.75 | 1.406 | 2.750 | 1.19 | 0.50 | 2.115 | 1.502 | 1.920 | 0.531 | 1/2-13 | 225 | 1/2-13X2.25 |
| W4-32-32-SS | W61-32-32-SS | 2.00 | 2.00 | 3.25 | 4.00 | 1.688 | 3.062 | 1.44 | 0.62 | 2.490 | 2.002 | 2.411 | 0.531 | 1/2-13 | 228 | 1/2-13X2.50 |
| W4-40-40-SS | W61-40-40-SS | 2.50 | 2.50 | 4.00 | 4.50 | 2.000 | 3.500 | 1.69 | 0.75 | 2.995 | 2.502 | 2.911 | 0.531 | 1/2-13 | 232 | 1/2-13X2.75 |
| W4-48-48-SS | W61-48-48-SS | 3.00 | 3.00 | 4.50 | 5.31 | 2.438 | 4.188 | 2.12 | 1.24 | 3.615 | 3.002 | 3.540 | 0.656 | 5/8-11 | 237 | 5/8-11X3.50 |

CODE 62 FLAT SOCKET WELD - PIPE

| PART NO. O-RING FIG. 1 | PART NO. FLAT FACE FIG. 2 | PIPE SIZE | PAD SIZE | A | B | C | D | E | F | G | H | J | K | L UNC-2B | MOUNTING HARDWARE | |
|------------------------------|---------------------------------|--------------|-------------|------|------|-------|-------|-------|------|-------|-------|-------|-------|-------------|----------------------|--------------|
| | | | | | | | | | | | | | | | O-RING | SHCS |
| W59-8-8-SS | W60-8-8-SS | 0.50 | 0.50 | 1.75 | 2.22 | 0.718 | 1.594 | 0.940 | 0.50 | 1.000 | 0.502 | 0.860 | 0.344 | 5/16-18 | 210 | 5/16-18X1.50 |
| W59-12-12-SS | W60-12-12-SS | 0.75 | 0.75 | 2.00 | 2.81 | 0.937 | 2.000 | 0.940 | 0.50 | 1.250 | 0.752 | 1.070 | 0.406 | 3/8-16 | 214 | 3/8-16X1.75 |
| W59-16-16-SS | W60-16-16-SS | 1.00 | 1.00 | 2.25 | 3.19 | 1.093 | 2.250 | 0.940 | 0.50 | 1.560 | 1.002 | 1.335 | 0.492 | 7/16-14 | 219 | 7/16-14X1.75 |
| W59-20-20-SS | W60-20-20-SS | 1.25 | 1.25 | 2.75 | 3.75 | 1.250 | 2.625 | 1.19 | 0.50 | 1.750 | 1.252 | 1.672 | 0.531 | 1/2-13 | 222 | 1/2-13X2.25 |
| W59-24-24-SS | W60-24-24-SS | 1.50 | 1.50 | 3.25 | 4.50 | 1.437 | 3.125 | 1.44 | 0.50 | 2.115 | 1.502 | 1.920 | 0.656 | 5/8-11 | 225 | 5/8-11X2.75 |
| W59-32-32-SS | W60-32-32-SS | 2.00 | 2.00 | 4.00 | 5.25 | 1.750 | 3.812 | 1.69 | 0.62 | 2.490 | 2.002 | 2.411 | 0.781 | 3/4-10 | 228 | 3/4-10X3.00 |
| W59-40-40-SS | W60-40-40-SS | 2.50 | 2.50 | 5.00 | 6.88 | 2.311 | 4.874 | 1.94 | 0.62 | 2.995 | 2.502 | 2.911 | 0.906 | 7/8-9 | 232 | 7/8-9X3.50 |
| W59-48-48-SS | W60-48-48-SS | 3.00 | 3.00 | 6.00 | 8.50 | 2.811 | 6.000 | 2.44 | 0.62 | 3.615 | 3.002 | 3.540 | 1.190 | 1-1/8-7 | 237 | 1-1/8-7X4.50 |

CODE 61 FLAT SOCKET WELD - PIPE - ALL SIZES 500 PSI

| PART NO. O-RING FIG. 1 | PART NO. FLAT FACE FIG. 2 | PIPE SIZE | PAD SIZE | A | B | C | D | E | F | G | H | J | K | L UNC-2B | MOUNTING HARDWARE | |
|------------------------------|---------------------------------|--------------|-------------|------|------|-------|-------|-------|------|-------|-------|-------|-------|-------------|----------------------|-------------|
| | | | | | | | | | | | | | | | O-RING | SHCS |
| W72-48-48-SS | W91-48-48-SS | 3.00 | 3.00 | 4.50 | 5.31 | 2.438 | 4.188 | 1.38 | 1.13 | 3.615 | 3.002 | 3.540 | 0.656 | 5/8-11 | 237 | 5/8-11X2.50 |
| W72-56-56-SS | W91-56-56-SS | 3.50 | 3.50 | 5.00 | 6.00 | 2.750 | 4.750 | 1.44 | 1.19 | 4.095 | 3.502 | 4.054 | 0.656 | 5/8-11 | 241 | 5/8-11X2.50 |
| W72-64-64-SS | W91-64-64-SS | 4.00 | 4.00 | 5.50 | 6.38 | 3.062 | 5.125 | 1.450 | 1.20 | 4.595 | 4.002 | 4.550 | 0.656 | 5/8-11 | 245 | 5/8-11X2.50 |

Trilex Fluid Power • (PHONE) 905-545-2038 • (FAX) 905-545-0528
email: wbisson@trilexfluidpower.com • web: www.trilexfluidpower.com