



PROVIDING QUALITY PRODUCTS SINCE 1995

TWIN SERIES CLAMPS



 905-545-2038

 716-283-8781

www.trilexfluidpower.com

CONTENTS

TWIN SERIES CLAMP PARTS	3
TWIN SERIES PIPE & TUBE CLAMPS	4
TWIN SERIES PIPE & TUBE STACKING CLAMPS.	5
TWIN SERIES PIPE & TUBE RAIL NUT CLAMPS	6

Twin Series Clamps will accommodate pipes, tubes and hoses ranging in size from ¼" to 1½" O.D. In addition to shock and vibration absorption properties, the Twin Clamp can support multiple tubes or hose and provide a close center distance. Typical installations: Off-highway equipment, agricultural equipment, material handling, construction, food processing plants, etc. Clamps for tube and metric sizes, other than those listed, can be furnished upon request. A basic clamp assembly consists of a weld plate, two (2) identical clamp halves, an arched cover plate and one (1) hex bolt. Twin weld and cover plates are furnished in plain carbon steel or zinc plated finish. Zinc plated will be furnished as the norm. Group T1 is supplied with 1/4-20 hardware. Group T2 - T5 can be supplied with either 5/16-18 or 3/8-16 hardware. 5/16-18 hardware will be supplied as the norm. Clamp units for lines with two different diameters can be provided upon request.

Clamp halves are made of Polypropylene (PP) in green or black and Santoprene (SP) in tan. Please refer to standard series for plastic properties.

Insert Material
PP (Polypropylene)
SP (Santoprene)

Temperature Range
-22 to 212 deg F.
-40 to 302 deg F.

Colour
Green/Black
Tan



CLAMP INSERTS

GROUP	SIZE	CLAMP OD	MM	PART NO.*
1	¼ T	0.250	6.4	T1064-PP
	¾ T	0.375	9.5	T1095-PP
2	¼ T	0.250		T2025-PP
	¾ T	0.375		T2038-PP
	½ T	0.500	12.7	T2127-PP
	¼ P	0.540	13.5	T2135-PP
		0.550	14.0	T2140-PP
	⅝ T	0.625	16.0	T2160-PP
	¾ P	0.675	17.1	T2171-PP
			18.0	T2180-PP
3	¾ T	0.750	19.0	T3190-PP
			20.0	T3200-PP
	½ P	0.840	21.3	T3213-PP
	⅞ T	0.875	22.2	T3222-PP
4	1 T	1.000	25.4	T3254-PP
	⅞ T	0.875		T4087-PP
	1 T	1.000	25.4	T4254-PP
	¾ P	1.050	26.9	T4269-PP
			28.0	T4280-PP
5			30.0	T4300-PP
	1¼ T	1.250	32.0	T5320-PP
	1 P	1.315	33.7	T5337-PP
			35.0	T5350-PP
	1½ T	1.500	38.0	T5380-PP
	1¼ P	1.660	42.4	T5424-PP

*Specify clamp material: PP = Polypropylene, SP = Santoprene



TWIN COVER PLATE

TWIN WELD PLATE

HEX BOLT

TCP-1	TWP-1	HEX-T1
TCP-2	TWP-2	HEX-T2
TCP-3	TWP-3	HEX-T3
TCP-4	TWP-4	HEX-T4
TCP-5	TWP-5	HEX-T5

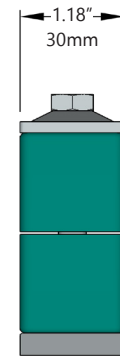
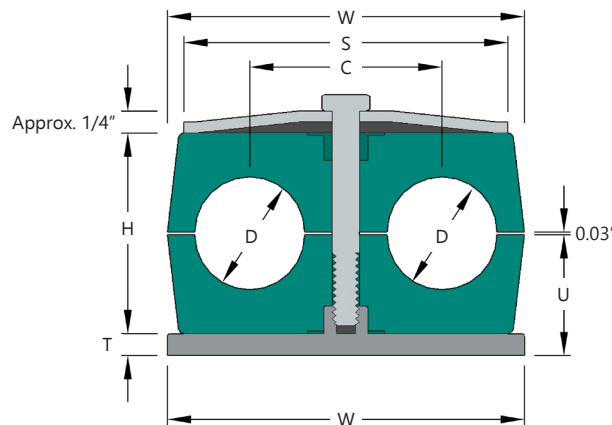


TWIN SAFETY PLATE

TWIN STACKING BOLT

RAIL NUT

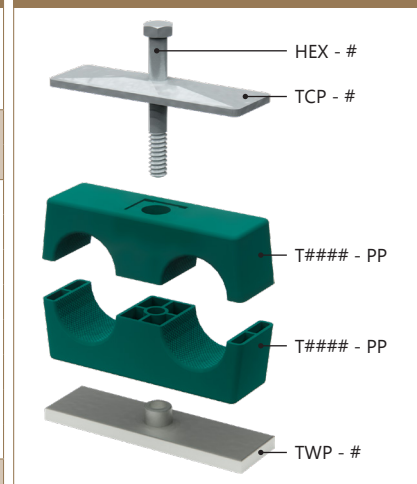
TSP-1	TSB-1	LRN-1-7 USED WITH GROUP TWIN 1 CLAMPS ONLY TRN-2-5 GROUP TWIN 2-5
TSP-2	TSB-2	
TSP-3	TSB-3	
TSP-4	TSB-4	
TSP-5	TSB-5	



COMPLETE CLAMP SET

GROUP	PART NO.	PIPE/ TUBE SIZE (INCHES)	CLAMP O.D. D	PIPE/ TUBE SIZE (MM)	W	H	C	U	S	BOLT SIZE
T1	T1064-PP-TCP-TWP	¼ T	0.250"	6.4	1.437	0.812	0.781	0.562	1.343	¼-20 1-Lg
	T1095-PP-TCP-TWP	⅜ T	0.375"	9.5						
T2	T2025-PP-TCP-TWP	¼ T	0.250"	12.7	2.187	1.000	1.250	0.687	2.031	⅝-18 1¼-Lg
	T2038-PP-TCP-TWP	⅜ T	0.375"							
	T2127-PP-TCP-TWP	½ T	0.500"							
	T2135-PP-TCP-TWP	¼ P	0.540"							
	T2140-PP-TCP-TWP		0.550"							
	T2160-PP-TCP-TWP	⅝ T	0.625"							
	T2171-PP-TCP-TWP	⅜ P	0.675"							
T2180-PP-TCP-TWP			18.0							
T3	T3190-PP-TCP-TWP	¾ T	0.750"	25.4	2.687	1.500	1.437	0.937	2.562	⅝-18 1¼-Lg
	T3200-PP-TCP-TWP		20.0							
	T3213-PP-TCP-TWP	½ P	0.840"							
	T3222-PP-TCP-TWP	⅞ T	0.875"							
	T3254-PP-TCP-TWP	1 T	1.000"							
T4	T4087-PP-TCP-TWP	⅞ T	0.875"	30.0	3.187	1.750	1.812	1.062	2.875	⅝-18 2-Lg
	T4254-PP-TCP-TWP	1 T	1.000"							
	T4269-PP-TCP-TWP	¾ P	1.050"							
	T4280-PP-TCP-TWP		28.0							
	T4300-PP-TCP-TWP		30.0							
T5	T5320-PP-TCP-TWP	1¼ T	1.250"	42.4	4.062	2.250	2.187	1.312	3.687	⅝-18 2½-Lg
	T5337-PP-TCP-TWP	1 P	1.315"							
	T5350-PP-TCP-TWP		35.0							
	T5380-PP-TCP-TWP	1½ T	1.500"							
	T5424-PP-TCP-TWP	1¼ P	1.660"							

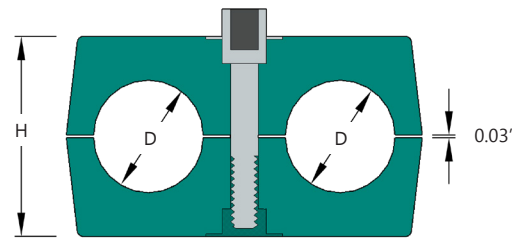
CLAMP PARTS



THERMAL PROPERTIES

Polypropylene (PP)	
Temperature Range (Brief Exposure)	-22°F to + 215°F (-30°C to + 102°C)
Temperature Range (Continuous Exposure)	-22°F to + 194°F (-30°C to + 90°C)

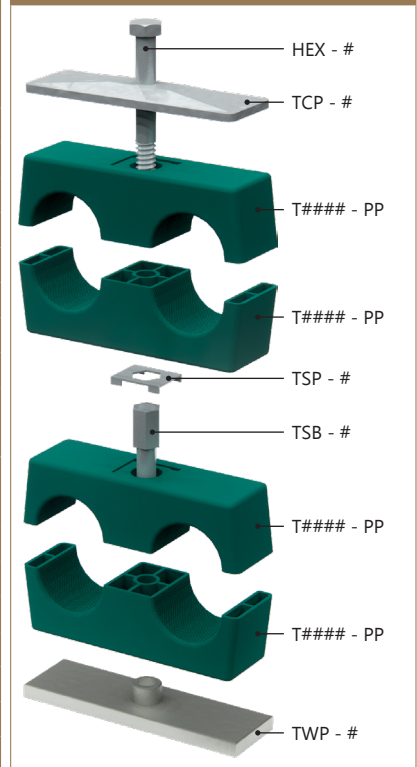
Above kits include two (2) clamp halves, one (1) cover plate, one (1) weld plate and one (1) hex bolt



COMPLETE CLAMP SET WITH STACKING KIT

GROUP	PART NO.	PIPE/ TUBE SIZE (INCHES)	CLAMP O.D. D	PIPE/ TUBE SIZE (MM)	W	H	C	U	S	BOLT SIZE
T1	T1064-PP-TSB-TSP	¼ T	0.250"	6.4	1.437	0.812	0.781	0.562	1.343	¼-20 1-Lg
	T1095-PP-TSB-TSP	⅜ T	0.375"	9.5						
T2	T2025-PP-TSB-TSP	¼ T	0.250"	12.7	2.187	1.000	1.250	0.687	2.031	⅝-18 1¼-Lg
	T2038-PP-TSB-TSP	⅜ T	0.375"							
	T2127-PP-TSB-TSP	½ T	0.500"							
	T2135-PP-TSB-TSP	¼ P	0.540"							
	T2140-PP-TSB-TSP		0.550"							
	T2160-PP-TSB-TSP	⅝ T	0.625"							
	T2171-PP-TSB-TSP	⅜ P	0.675"							
T2180-PP-TSB-TSP		18.0								
T3	T3190-PP-TSB-TSP	¾ T	0.750"	19.0	2.687	1.500	1.437	0.937	2.562	⅝-18 1¼-Lg
	T3200-PP-TSB-TSP		20.0							
	T3213-PP-TSB-TSP	½ P	0.840"							
	T3222-PP-TSB-TSP	⅞ T	0.875"							
	T3254-PP-TSB-TSP	1 T	1.000"							
T4	T4087-PP-TSB-TSP	⅞ T	0.875"	25.4	3.187	1.750	1.812	1.062	2.875	⅝-18 2-Lg
	T4254-PP-TSB-TSP	1 T	1.000"							
	T4269-PP-TSB-TSP	¾ P	1.050"							
	T4280-PP-TSB-TSP		28.0							
	T4300-PP-TSB-TSP		30.0							
T5	T5320-PP-TSB-TSP	1¼ T	1.250"	32.0	4.062	2.250	2.187	1.312	3.687	⅝-18 2½-Lg
	T5337-PP-TSB-TSP	1 P	1.315"							
	T5350-PP-TSB-TSP		35.0							
	T5380-PP-TSB-TSP	1½ T	1.500"							
	T5424-PP-TSB-TSP	1¼ P	1.660"							

CLAMP PARTS

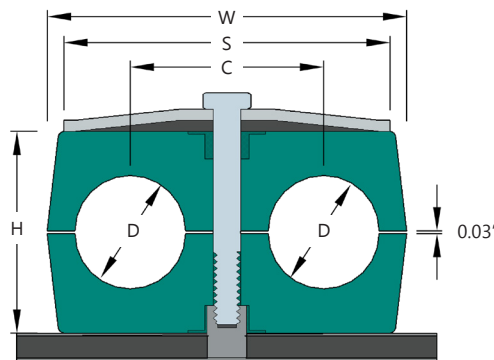


THERMAL PROPERTIES

Polypropylene (PP)

Temperature Range (Brief Exposure)	-22°F to + 215°F (-30°C to + 102°C)
Temperature Range (Continuous Exposure)	-22°F to + 194°F (-30°C to + 90°C)

Above kits include two (2) clamp halves, one (1) twin stacking bolt and one (1) twin safety plate

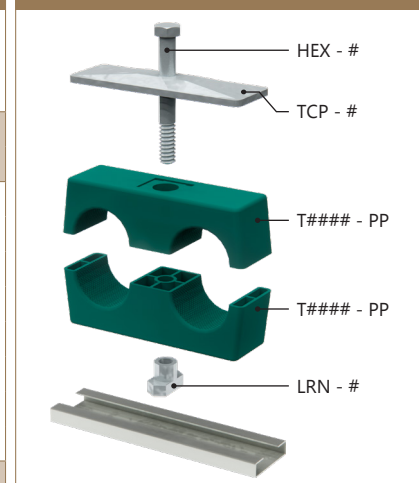


COMPLETE CLAMP SET WITH RAIL NUT

GROUP	PART NO.	PIPE/ TUBE SIZE (INCHES)	CLAMP O.D. D	PIPE/ TUBE SIZE (MM)	W	H	C	U	S	BOLT SIZE
T1	T1064-PP-TCP-TRN	¼ T	0.250"	6.4	1.437	0.812	0.781	0.562	1.343	¼-20 1-Lg
	T1095-PP-TCP-TRN	⅜ T	0.375"	9.5						
T2	T2025-PP-TCP-TRN	¼ T	0.250"	12.7	2.187	1.000	1.250	0.687	2.031	⅝-18 1¼-Lg
	T2038-PP-TCP-TRN	⅜ T	0.375"							
	T2127-PP-TCP-TRN	½ T	0.500"							
	T2135-PP-TCP-TRN	¼ P	0.540"							
	T2140-PP-TCP-TRN		0.550"							
	T2160-PP-TCP-TRN	⅝ T	0.625"							
	T2171-PP-TCP-TRN	⅜ P	0.675"							
T2180-PP-TCP-TRN		18.0								
T3	T3190-PP-TCP-TRN	¾ T	0.750"	21.3	2.687	1.500	1.437	0.937	2.562	⅝-18 1¼-Lg
	T3200-PP-TCP-TRN		20.0							
	T3213-PP-TCP-TRN	½ P	0.840"							
	T3222-PP-TCP-TRN	⅞ T	0.875"							
T4	T4087-PP-TCP-TRN	⅞ T	0.875"	25.4	3.187	1.750	1.812	1.062	2.875	⅝-18 2-Lg
	T4254-PP-TCP-TRN	1 T	1.000"							
	T4269-PP-TCP-TRN	¾ P	1.050"							
	T4280-PP-TCP-TRN		28.0							
	T4300-PP-TCP-TRN		30.0							
T5	T5320-PP-TCP-TRN	1¼ T	1.250"	32.0	4.062	2.250	2.187	1.312	3.687	⅝-18 2½-Lg
	T5337-PP-TCP-TRN	1 P	1.315"							
	T5350-PP-TCP-TRN		35.0							
	T5380-PP-TCP-TRN	1½ T	1.500"							
T5424-PP-TCP-TRN	1¼ P	1.660"	42.4							

Above kits include two (2) clamp halves, one (1) cover plate, one (1) rail nut (1) hex bolt

CLAMP PARTS



THERMAL PROPERTIES

Polypropylene (PP)	
Temperature Range (Brief Exposure)	-22°F to + 215°F (-30°C to + 102°C)
Temperature Range (Continuous Exposure)	-22°F to + 194°F (-30°C to + 90°C)



 905-545-2038 

 716-283-8781 

 www.trilexfluidpower.com

 wbisson@trilexfluidpower.com